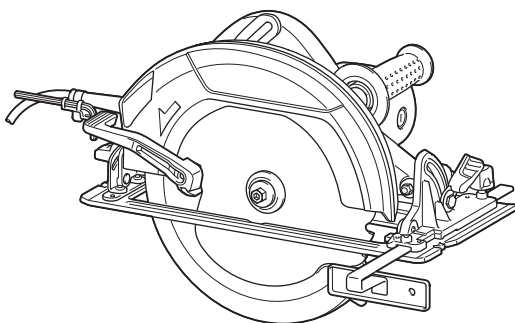


INSTRUCTION MANUAL  
MANUEL D'INSTRUCTION  
MANUAL DE INSTRUCCIONES



# Circular Saw Scie Circulaire Sierra Circular

## HS0600



DOUBLE INSULATION  
DOUBLE ISOLATION  
DOBLE AISLAMIENTO

**IMPORTANT:** Read Before Using.  
**IMPORTANT :** Lire avant usage.  
**IMPORTANTE:** Lea antes de usar.

## SPECIFICATIONS

<b>Model:</b>		<b>HS0600</b>
Blade diameter		260 mm (10-1/4")
Max. Cutting depth	at 0°	97 mm (3-13/16")
	at 45° bevel	68 mm (2-11/16")
	at 50° bevel	61 mm (2-3/8")
No load speed		4,300 /min
Overall length		418 mm (16-1/2")
Net weight		6.9 kg (15.2 lbs)
Safety class		□/II

- Due to our continuing program of research and development, the specifications herein are subject to change without notice.
- Specifications may differ from country to country.
- Weight according to EPTA-Procedure 01/2014

## SAFETY WARNINGS

### General power tool safety warnings

**⚠ WARNING:** Read all safety warnings and all instructions. Failure to follow the warnings and instructions may result in electric shock, fire and/or serious injury.

### Save all warnings and instructions for future reference.

The term "power tool" in the warnings refers to your mains-operated (corded) power tool or battery-operated (cordless) power tool.

#### Work area safety

1. **Keep work area clean and well lit.** Cluttered or dark areas invite accidents.
2. **Do not operate power tools in explosive atmospheres, such as in the presence of flammable liquids, gases or dust.** Power tools create sparks which may ignite the dust or fumes.
3. **Keep children and bystanders away while operating a power tool.** Distractions can cause you to lose control.

#### Electrical Safety

1. **Power tool plugs must match the outlet. Never modify the plug in any way. Do not use any adapter plugs with earthed (grounded) power tools.** Unmodified plugs and matching outlets will reduce risk of electric shock.
2. **Avoid body contact with earthed or grounded surfaces, such as pipes, radiators, ranges and refrigerators.** There is an increased risk of electric shock if your body is earthed or grounded.

3. **Do not expose power tools to rain or wet conditions.** Water entering a power tool will increase the risk of electric shock.
4. **Do not abuse the cord. Never use the cord for carrying, pulling or unplugging the power tool. Keep cord away from heat, oil, sharp edges or moving parts.** Damaged or entangled cords increase the risk of electric shock.
5. **When operating a power tool outdoors, use an extension cord suitable for outdoor use.** Use of a cord suitable for outdoor use reduces the risk of electric shock.
6. **If operating a power tool in a damp location is unavoidable, use a ground fault circuit interrupter (GFCI) protected supply.** Use of a GFCI reduces the risk of electric shock.

#### Personal Safety

1. **Stay alert, watch what you are doing and use common sense when operating a power tool. Do not use a power tool while you are tired or under the influence of drugs, alcohol or medication.** A moment of inattention while operating power tools may result in serious personal injury.
2. **Use personal protective equipment. Always wear eye protection.** Protective equipment such as a dust mask, non-skid safety shoes, hard hat or hearing protection used for appropriate conditions will reduce personal injuries.
3. **Prevent unintentional starting. Ensure the switch is in the off-position before connecting to power source and/or battery pack, picking up or carrying the tool.** Carrying power tools with your finger on the switch or energising power tools that have the switch on invites accidents.
4. **Remove any adjusting key or wrench before turning the power tool on.** A wrench or a key left attached to a rotating part of the power tool may result in personal injury.

5. **Do not overreach. Keep proper footing and balance at all times.** This enables better control of the power tool in unexpected situations.
6. **Dress properly. Do not wear loose clothing or jewellery. Keep your hair, clothing, and gloves away from moving parts.** Loose clothes, jewelry or long hair can be caught in moving parts.
7. **If devices are provided for the connection of dust extraction and collection facilities, ensure these are connected and properly used.** Use of dust collection can reduce dust-related hazards.

#### Power tool use and care

1. **Do not force the power tool. Use the correct power tool for your application.** The correct power tool will do the job better and safer at the rate for which it was designed.
2. **Do not use the power tool if the switch does not turn it on and off.** Any power tool that cannot be controlled with the switch is dangerous and must be repaired.
3. **Disconnect the plug from the power source and/or the battery pack from the power tool before making any adjustments, changing accessories, or storing power tools.** Such preventive safety measures reduce the risk of starting the power tool accidentally.
4. **Store idle power tools out of the reach of children and do not allow persons unfamiliar with the power tool or these instructions to operate the power tool.** Power tools are dangerous in the hands of untrained users.

5. **Maintain power tools. Check for misalignment or binding of moving parts, breakage of parts and any other condition that may affect the power tool's operation. If damaged, have the power tool repaired before use.** Many accidents are caused by poorly maintained power tools.
6. **Keep cutting tools sharp and clean.** Properly maintained cutting tools with sharp cutting edges are less likely to bind and are easier to control.
7. **Use the power tool, accessories and tool bits etc. in accordance with these instructions, taking into account the working conditions and the work to be performed.** Use of the power tool for operations different from those intended could result in a hazardous situation.

#### Service

1. **Have your power tool serviced by a qualified repair person using only identical replacement parts.** This will ensure that the safety of the power tool is maintained.
2. **Follow instruction for lubricating and changing accessories.**
3. **Keep handles dry, clean and free from oil and grease.**

**USE PROPER EXTENSION CORD.** Make sure your extension cord is in good condition. When using an extension cord, be sure to use one heavy enough to carry the current your product will draw. An undersized cord will cause a drop in line voltage resulting in loss of power and overheating. Table 1 shows the correct size to use depending on cord length and nameplate ampere rating. If in doubt, use the next heavier gage. The smaller the gage number, the heavier the cord.

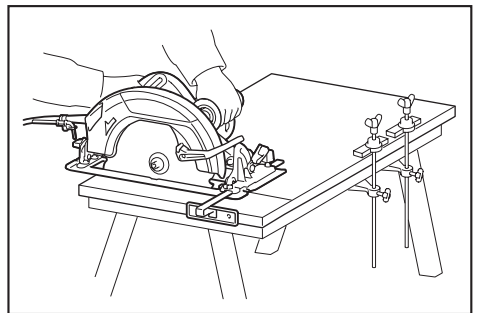
**Table 1: Minimum gage for cord**

Ampere Rating		Volts	Total length of cord in feet			
			25 ft.	50 ft.	100 ft.	150 ft.
		120V	25 ft.	50 ft.	100 ft.	150 ft.
		220V - 240V	50 ft.	100 ft.	200 ft.	300 ft.
		AWG				
More Than	Not More Than	-	18	16	16	14
0 A	6 A		18	16	14	12
6 A	10 A		16	16	14	12
10 A	12 A		14	12	Not Recommended	
12 A	16 A					

## Circular saw safety warnings

### Cutting procedures

1. **⚠ DANGER: Keep hands away from cutting area and the blade. Keep your second hand on auxiliary handle, or motor housing.** If both hands are holding the saw, they cannot be cut by the blade.
2. **Do not reach underneath the workpiece.** The guard cannot protect you from the blade below the workpiece.
3. **Adjust the cutting depth to the thickness of the workpiece.** Less than a full tooth of the blade teeth should be visible below the workpiece.
4. **Never hold piece being cut in your hands or across your leg. Secure the workpiece to a stable platform.** It is important to support the work properly to minimize body exposure, blade binding, or loss of control.



5. **Hold the power tool by insulated gripping surfaces only, when performing an operation where the cutting tool may contact hidden wiring or its own cord.** Contact with a "live" wire will also make exposed metal parts of the power tool "live" and could give the operator an electric shock.

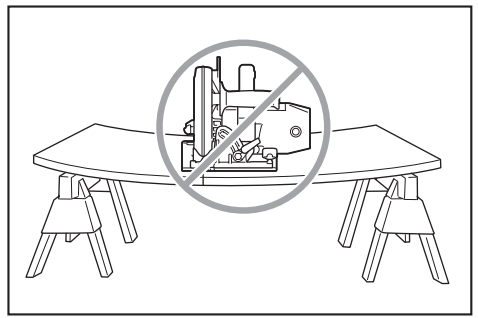
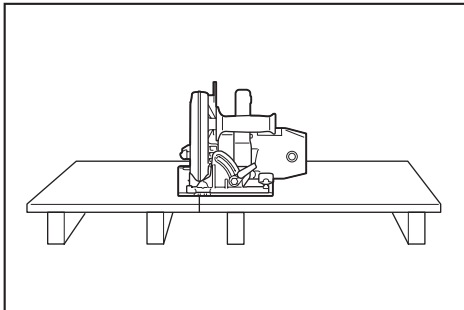
6. **When ripping, always use a rip fence or straight edge guide.** This improves the accuracy of cut and reduces the chance of blade binding.
7. **Always use blades with correct size and shape (diamond versus round) of arbour holes.** Blades that do not match the mounting hardware of the saw will run eccentrically, causing loss of control.
8. **Never use damaged or incorrect blade washers or bolt.** The blade washers and bolt were specially designed for your saw, for optimum performance and safety of operation.

#### Kickback causes and related warnings

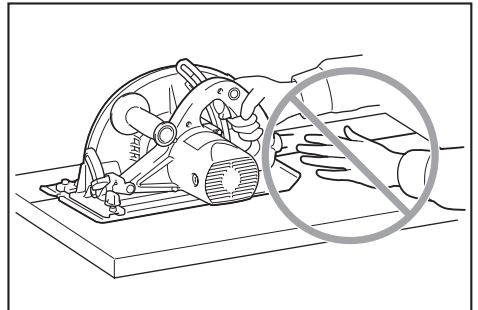
- kickback is a sudden reaction to a pinched, bound or misaligned saw blade, causing an uncontrolled saw to lift up and out of the workpiece toward the operator;
- when the blade is pinched or bound tightly by the kerf closing down, the blade stalls and the motor reaction drives the unit rapidly back toward the operator;
- if the blade becomes twisted or misaligned in the cut, the teeth at the back edge of the blade can dig into the top surface of the wood causing the blade to climb out of the kerf and jump back toward the operator.

Kickback is the result of saw misuse and/or incorrect operating procedures or conditions and can be avoided by taking proper precautions as given below.

1. **Maintain a firm grip with both hands on the saw and position your arms to resist kickback forces. Position your body to either side of the blade, but not in line with the blade.** Kickback could cause the saw to jump backwards, but kickback forces can be controlled by the operator, if proper precautions are taken.
2. **When blade is binding, or when interrupting a cut for any reason, release the trigger and hold the saw motionless in the material until the blade comes to a complete stop. Never attempt to remove the saw from the work or pull the saw backward while the blade is in motion or kickback may occur.** Investigate and take corrective actions to eliminate the cause of blade binding.
3. **When restarting a saw in the workpiece, centre the saw blade in the kerf and check that saw teeth are not engaged into the material.** If saw blade is binding, it may walk up or kickback from the workpiece as the saw is restarted.
4. **Support large panels to minimise the risk of blade pinching and kickback.** Large panels tend to sag under their own weight. Supports must be placed under the panel on both sides, near the line of cut and near the edge of the panel.



5. **Do not use dull or damaged blades.** Unsharpened or improperly set blades produce narrow kerf causing excessive friction, blade binding and kickback.
6. **Blade depth and bevel adjusting locking levers must be tight and secure before making cut.** If blade adjustment shifts while cutting, it may cause binding and kickback.
7. **Use extra caution when sawing into existing walls or other blind areas.** The protruding blade may cut objects that can cause kickback.
8. **ALWAYS hold the tool firmly with both hands. NEVER place your hand, leg or any part of your body under the tool base or behind the saw, especially when making cross-cuts.** If kickback occurs, the saw could easily jump backwards over your hand, leading to serious personal injury.



9. **Never force the saw. Push the saw forward at a speed so that the blade cuts without slowing.** Forcing the saw can cause uneven cuts, loss of accuracy, and possible kickback.

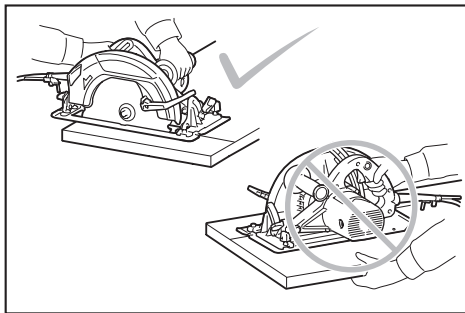
#### Lower guard function

1. **Check lower guard for proper closing before each use. Do not operate the saw if lower guard does not move freely and close instantly. Never clamp or tie the lower guard into the open position.** If saw is accidentally dropped, lower guard may be bent. Raise the lower guard with the retracting handle and make sure it moves freely and does not touch the blade or any other part, in all angles and depths of cut.
2. **Check the operation of the lower guard spring. If the guard and the spring are not operating properly, they must be serviced before use.** Lower guard may operate sluggishly due to damaged parts, gummy deposits, or a build-up of debris.

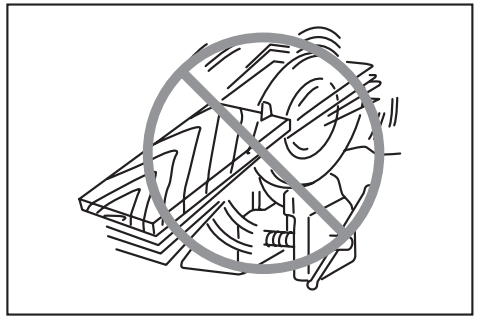
3. **Lower guard should be retracted manually only for special cuts such as “plunge cuts” and “compound cuts”. Raise lower guard by retracting handle and as soon as blade enters the material, the lower guard must be released.** For all other sawing, the lower guard should operate automatically.
4. **Always observe that the lower guard is covering the blade before placing saw down on bench or floor.** An unprotected, coasting blade will cause the saw to walk backwards, cutting whatever is in its path. Be aware of the time it takes for the blade to stop after switch is released.
5. **To check lower guard, open lower guard by hand, then release and watch guard closure. Also check to see that retracting handle does not touch tool housing.** Leaving blade exposed is VERY DANGEROUS and can lead to serious personal injury.

#### Additional safety warnings

1. **Intended use**  
This tool is intended to cut wood products only. Accumulated sawdust on the lower guard and hub from other materials may effect the proper closure of the lower guard which could lead to serious personal injury.
2. **Use extra caution when cutting damp wood, pressure treated lumber, or wood containing knots.** Maintain smooth advancement of tool without decrease in blade speed to avoid overheating the blade tips.
3. **Do not attempt to remove cut material when blade is moving. Wait until blade stops before grasping cut material.** Blades coast after turn off.
4. **Avoid cutting nails. Inspect for and remove all nails from lumber before cutting.**
5. **Place the wider portion of the saw base on that part of the workpiece which is solidly supported, not on the section that will fall off when the cut is made. If the workpiece is short or small, clamp it down. DO NOT TRY TO HOLD SHORT PIECES BY HAND!**



6. **Before setting the tool down after completing a cut, be sure that the guard has closed and the blade has come to a complete stop.**
7. **Never attempt to saw with the circular saw held upside down in a vise. This is extremely dangerous and can lead to serious accidents.**




8. **Some material contains chemicals which may be toxic. Take caution to prevent dust inhalation and skin contact. Follow material supplier safety data.**
9. **Do not stop the blades by lateral pressure on the saw blade.**
10. **Do not use any abrasive wheels.**
11. **Only use the saw blade with the diameter that is marked on the tool or specified in the manual.** Use of an incorrectly sized blade may affect the proper guarding of the blade or guard operation which could result in serious personal injury.
12. **Keep blade sharp and clean.** Gum and wood pitch hardened on blades slows saw and increases potential for kickback. Keep blade clean by first removing it from tool, then cleaning it with gum and pitch remover, hot water or kerosene. Never use gasoline.
13. **Wear a dust mask and hearing protection when use the tool.**
14. **Always use the saw blade intended for cutting the material that you are going to cut.**

## SAVE THESE INSTRUCTIONS.

**⚠ WARNING:** DO NOT let comfort or familiarity with product (gained from repeated use) replace strict adherence to safety rules for the subject product. MISUSE or failure to follow the safety rules stated in this instruction manual may cause serious personal injury.

### Symbols

The followings show the symbols used for tool.

V	volts
A	amperes
Hz	hertz
~	alternating current
n <sub>o</sub>	no load speed
	Class II Construction
... /min r/min	revolutions or reciprocation per minute

# FUNCTIONAL DESCRIPTION

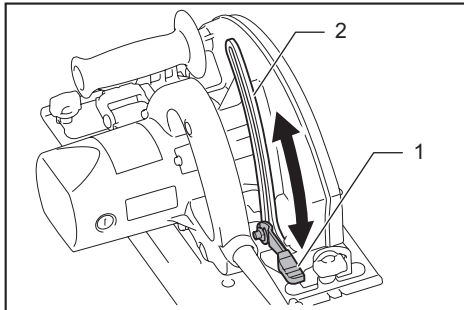
**CAUTION:** Always be sure that the tool is switched off and unplugged before adjusting or checking function on the tool.

## Adjusting depth of cut

**CAUTION:** After adjusting the depth of cut, always tighten the lever securely.

Loosen the lever on the depth guide and move the base up or down. At the desired depth of cut, secure the base by tightening the lever.

For cleaner, safer cuts, set cut depth so that no more than one blade tooth projects below workpiece. Using proper cut depth helps to reduce potential for dangerous KICKBACKS which can cause personal injury.

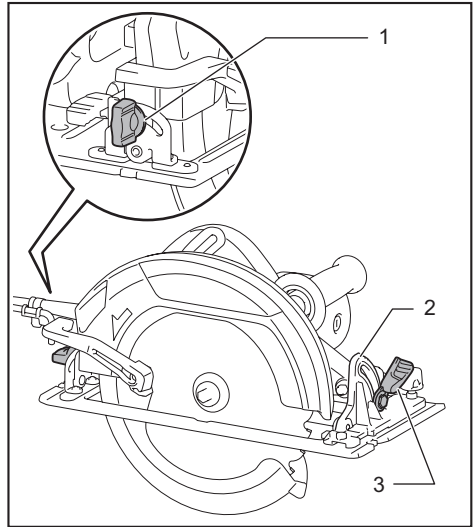


► 1. Lever 2. Depth guide

## Bevel cutting

**CAUTION:** After adjusting the bevel angle, always tighten the lever and clamping screw securely.

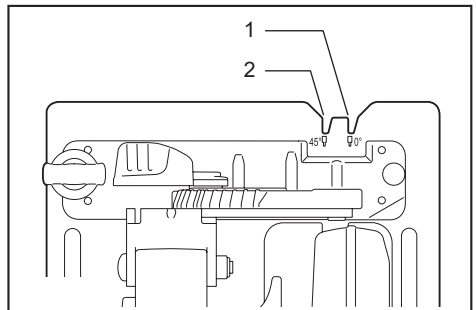
Loosen the lever and clamping screw. Set for the desired angle by tilting accordingly, then tighten the lever and clamping screw securely.



► 1. Clamping screw 2. Bevel scale plate 3. Lever

## Sighting

For straight cuts, align the 0° position on the front of the base with your cutting line. For 45° bevel cuts, align the 45° position with it.



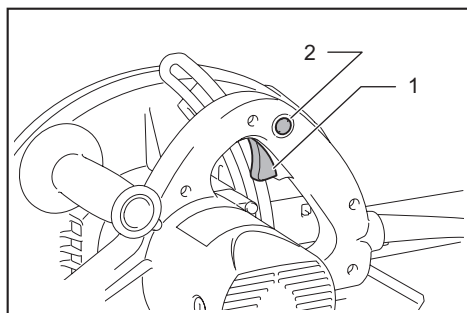
► 1. Cutting line (0° position) 2. Cutting line (45° position)

## Switch action

**⚠ WARNING:** Before plugging in the tool, always check to see that the switch trigger actuates properly and returns to the "OFF" position when released.

**⚠ WARNING:** NEVER defeat the lock-off button by taping down or some other means. A switch with a negated lock-off button may result in unintentional operation and serious personal injury.

**⚠ WARNING:** NEVER use the tool if it runs when you simply pull the switch trigger without pressing the lock-off button. A switch in need of repair may result in unintentional operation and serious personal injury. Return tool to a Makita service center for proper repairs BEFORE further usage.



► 1. Switch trigger 2. Lock-off button

To prevent the switch trigger from being accidentally pulled, a lock-off button is provided. To start the tool, depress the lock-off button and pull the switch trigger. Release the switch trigger to stop.

**NOTICE:** Do not pull the switch trigger hard without pressing in the lock-off button. This can cause switch breakage.

## ASSEMBLY

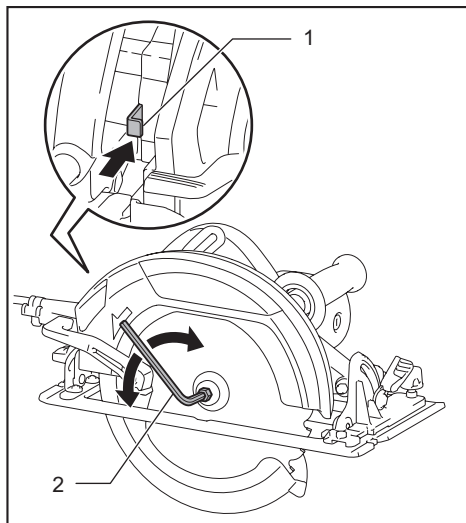
**⚠ CAUTION:** Always be sure that the tool is switched off and unplugged before carrying out any work on the tool.

### Removing or installing circular saw blade

**⚠ CAUTION:** Be sure the circular saw blade is installed with teeth pointing up at the front of the tool.

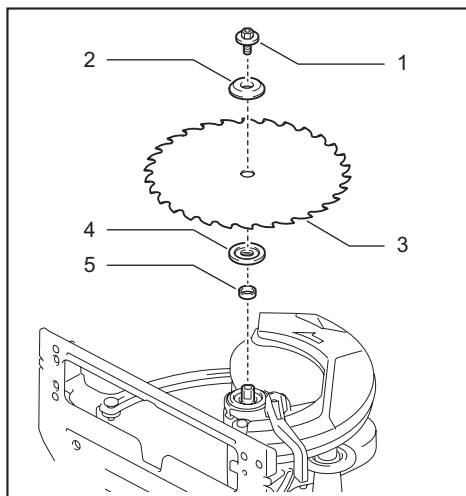
**⚠ CAUTION:** Use only the Makita wrench to install or remove the circular saw blade.

To remove the circular saw blade, press the shaft lock fully so that the circular saw blade cannot revolve and use the wrench to loosen the hex bolt counterclockwise. Then remove the hex bolt, ring (country specific), outer flange and circular saw blade.



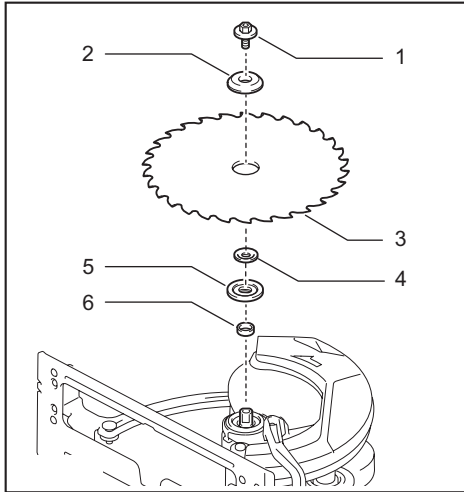
► 1. Shaft lock 2. Hex wrench

### For tool without the ring



► 1. Hex bolt 2. Outer flange 3. Circular saw blade  
4. Inner flange 5. Spindle ring

### For tool with the ring

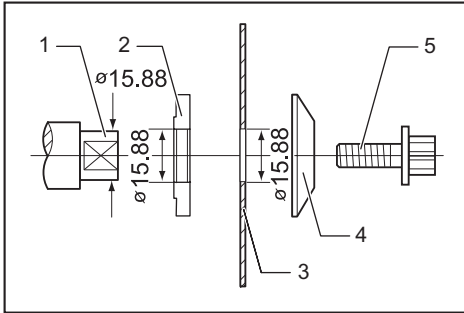


- 1. Hex bolt 2. Outer flange 3. Circular saw blade  
4. Ring 5. Inner flange 6. Spindle ring

To install the circular saw blade, follow the removal procedure in reverse.

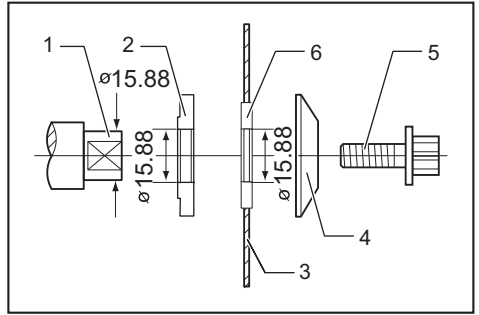
Mount the inner flange with its recessed side facing outward onto the mounting shaft and then place circular saw blade (with the ring attached if needed), outer flange and hex bolt.

### For tool without the ring



- 1. Mounting shaft 2. Inner flange 3. Circular saw blade  
4. Outer flange 5. Hex bolt

### For tool with the ring



- 1. Mounting shaft 2. Inner flange 3. Circular saw blade  
4. Outer flange 5. Hex bolt 6. Ring

**⚠ WARNING:** BE SURE TO TIGHTEN THE HEX BOLT CLOCKWISE SECURELY. Also be careful not to tighten the bolt forcibly. Slipping your hand from the hex wrench can cause a personal injury.

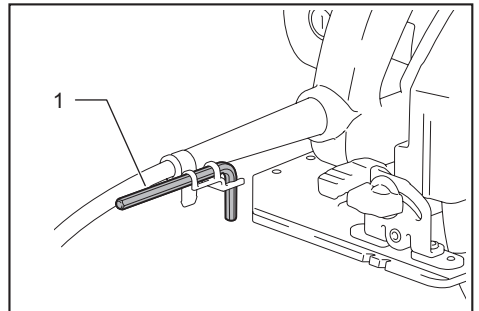
**⚠ WARNING:** If the ring is needed to mount the blade onto the spindle, always be sure that the correct ring for the blade's arbor hole you intend to use is installed between the inner and the outer flanges. Use of the incorrect arbor hole ring may result in the improper mounting of the blade causing blade movement and severe vibration resulting in possible loss of control during operation and in serious personal injury.

### Blade guard cleaning

When changing the circular saw blade, make sure to also clean the upper and lower blade guards of accumulated sawdust as discussed in the Maintenance section. Such efforts do not replace the need to check lower guard operation before each use.

### Hex wrench storage

When not in use, store the hex wrench as shown in the figure to keep it from being lost.



- 1. Hex wrench

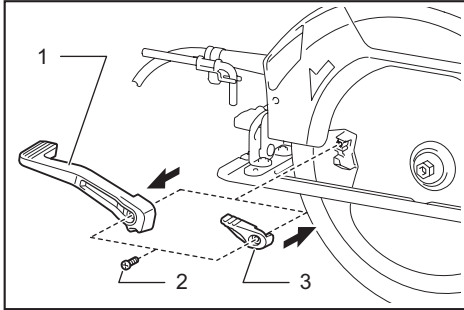


## Connecting a vacuum cleaner

### Optional accessory

When you wish to perform clean cutting operation, connect a Makita vacuum cleaner to your tool using the dust nozzle.

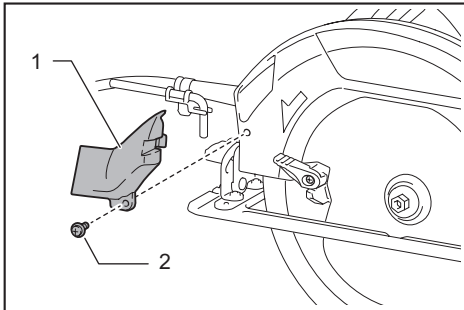
1. Replace the original lever on the tool with the one supplied with the dust nozzle.



- 1. Original lever 2. Screw 3. Lever supplied with the dust nozzle

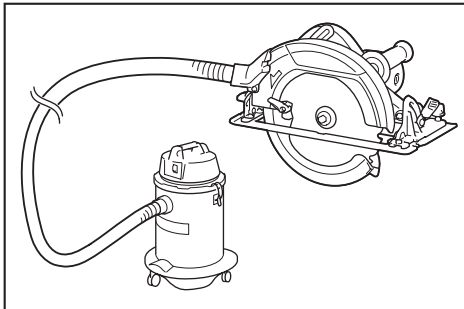
Do not use the dust nozzle with the long lever attached. You will not be able to make a cut because the lower guard movement is hindered by the dust nozzle.

2. Install the dust nozzle on the tool using the screw.



- 1. Dust nozzle 2. Screw

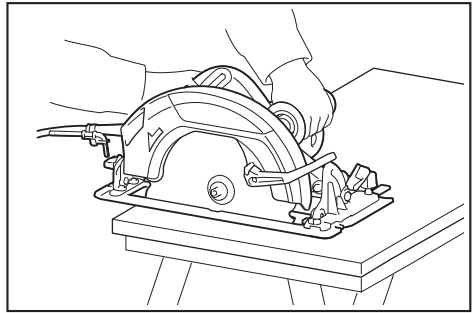
3. Connect a hose of the vacuum cleaner to the dust nozzle.



## OPERATION

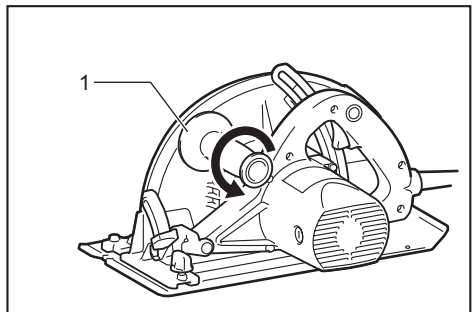
**▲ CAUTION:** Wear dust mask when performing cutting operation.

**▲ CAUTION:** Be sure to move the tool forward in a straight line gently. Forcing or twisting the tool will result in overheating the motor and dangerous kickback, possibly causing severe injury.



Hold the tool firmly. The tool is provided with both a front grip and rear handle. Use both to best grasp the tool. If both hands are holding saw, they cannot be cut by the circular saw blade. Set the base on the workpiece to be cut without the circular saw blade making any contact. Then turn the tool on and wait until the circular saw blade attains full speed. Now simply move the tool forward over the workpiece surface, keeping it flat and advancing smoothly until the sawing is completed. To get clean cuts, keep your sawing line straight and your speed of advance uniform. If the cut fails to properly follow your intended cut line, do not attempt to turn or force the tool back to the cut line. Doing so may bind the circular saw blade and lead to dangerous kickback and possible serious injury. Release switch, wait for circular saw blade to stop and then withdraw tool. Realign tool on new cut line, and start cut again. Attempt to avoid positioning which exposes operator to chips and wood dust being ejected from saw. Use eye protection to help avoid injury.

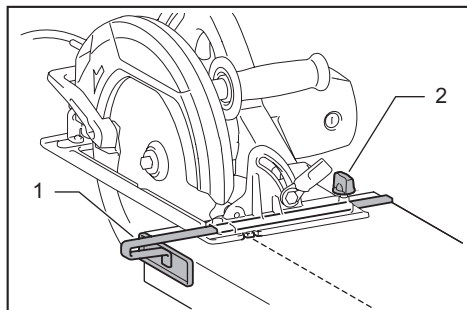
If the front grip become loose, turn it counterclockwise to tighten.



- 1. Front grip

## Rip fence (Guide rule)

### Optional accessory



► 1. Rip fence (Guide rule) 2. Clamping screw

The handy rip fence allows you to do extra-accurate straight cuts. Simply slide the rip fence up snugly against the side of the workpiece and secure it in position with the clamping screw on the front of the base. It also makes repeated cuts of uniform width possible.

## MAINTENANCE

**⚠ CAUTION:** Always be sure that the tool is switched off and unplugged before attempting to perform inspection or maintenance.

**⚠ CAUTION:** Clean out the guard to ensure there is no accumulated sawdust and chips which may impede the operation of the guarding system. A dirty guarding system may limit the proper operation which could result in serious personal injury. The most effective way to accomplish this cleaning is with compressed air. **If the dust is being blown out of the guard, be sure the proper eye and breathing protection is used.**

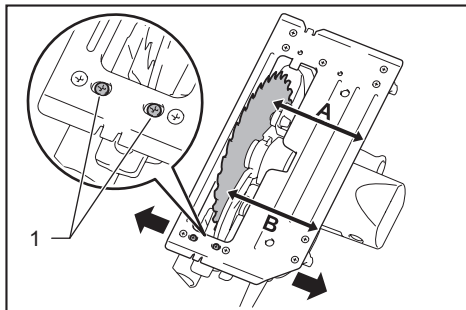
**NOTICE:** Never use gasoline, benzine, thinner, alcohol or the like. Discoloration, deformation or cracks may result.

### Adjusting the parallelism

This adjustment has been made at the factory. But if it is off, you can adjust it as the following procedure.

1. Make sure all levers and screws are tightened. Slightly loosen the screw illustrated.
2. While opening the lower guard, move the rear of the base so that the distance A and B becomes equal.

3. Tighten the screws and make a test cut to check the parallelism.

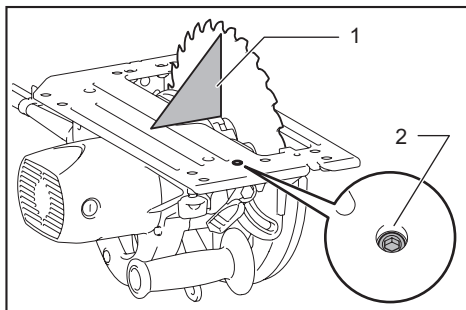


► 1. Screw

### Adjusting 0°-cut accuracy

This adjustment has been made at the factory. But if it is off, you can adjust it as the following procedure.

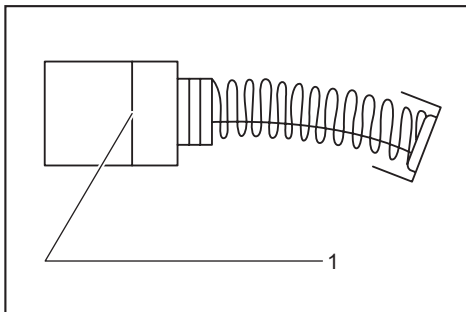
1. Slightly loosen the lever and clamping screw on the front and rear of the tool.
2. Make the base perpendicular to the blade using a triangular rule or square rule by turning the adjusting screw.



► 1. Triangular rule 2. Adjusting screw

3. Tighten the lever and clamping screw and then make a test cut to check the verticalness.

### Replacing carbon brushes



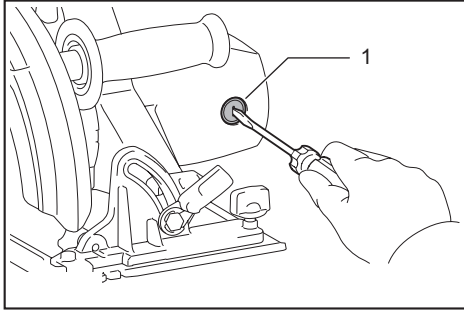
► 1. Limit mark

## MAKITA LIMITED WARRANTY

Check the carbon brushes regularly.

Replace them when they wear down to the limit mark. Keep the carbon brushes clean and free to slip in the holders. Both carbon brushes should be replaced at the same time. Use only identical carbon brushes.

1. Use a screwdriver to remove the brush holder caps.
2. Take out the worn carbon brushes, insert the new ones and secure the brush holder caps.



► 1. Brush holder cap

To maintain product SAFETY and RELIABILITY, repairs, any other maintenance or adjustment should be performed by Makita Authorized or Factory Service Centers, always using Makita replacement parts.

Please refer to the annexed warranty sheet for the most current warranty terms applicable to this product. If annexed warranty sheet is not available, refer to the warranty details set forth at below website for your respective country.

United States of America: [www.makitatools.com](http://www.makitatools.com)

Canada: [www.makita.ca](http://www.makita.ca)

Other countries: [www.makita.com](http://www.makita.com)

## OPTIONAL ACCESSORIES

**CAUTION:** These accessories or attachments are recommended for use with your Makita tool specified in this manual. The use of any other accessories or attachments might present a risk of injury to persons. Only use accessory or attachment for its stated purpose.

If you need any assistance for more details regarding these accessories, ask your local Makita Service Center.

- Circular saw blade
- Rip fence (Guide rule)
- Hex wrench
- Dust nozzle
- Guide rail
- Bevel guide
- Clamp
- Sheet
- Rubber sheet
- Position sheet
- Guide rail adapter
- Rule bar
- Bracket

**NOTE:** Some items in the list may be included in the tool package as standard accessories. They may differ from country to country.

## SPÉCIFICATIONS

Modèle :		HS0600
Diamètre de la lame		260 mm (10-1/4")
Profondeur de coupe max.	à 0°	97 mm (3-13/16")
	avec biseau de 45°	68 mm (2-11/16")
	avec biseau de 50°	61 mm (2-3/8")
Vitesse à vide		4 300 /min
Longueur totale		418 mm (16-1/2")
Poids net		6,9 kg (15,2 lbs)
Classe de sécurité		□/II

- Étant donné l'évolution constante de notre programme de recherche et de développement, les spécifications contenues dans ce manuel sont sujettes à modification sans préavis.
- Les spécifications peuvent varier suivant les pays.
- Poids selon la procédure EPTA 01/2014

## CONSIGNES DE SÉCURITÉ

### Consignes de sécurité générales pour outils électriques

**▲ MISE EN GARDE :** Lisez toutes les consignes de sécurité et toutes les instructions. L'ignorance des mises en garde et des instructions comporte un risque de choc électrique, d'incendie et/ou de blessure grave.

### Conservez toutes les mises en garde et instructions pour référence future.

Le terme « outil électrique » qui figure dans les avertissements fait référence à un outil électrique branché sur une prise de courant (par un cordon d'alimentation) ou alimenté par batterie (sans fil).

#### Sécurité de la zone de travail

1. **Maintenez la zone de travail propre et bien éclairée.** Les zones de travail encombrées ou sombres ouvrent grande la porte aux accidents.
2. **N'utilisez pas les outils électriques dans les atmosphères explosives, par exemple en présence de liquides, gaz ou poussières inflammables.** Les outils électriques produisent des étincelles au contact desquelles la poussière ou les vapeurs peuvent s'enflammer.

3. **Assurez-vous qu'aucun enfant ou curieux ne s'approche pendant que vous utilisez un outil électrique.** Vous risquez de perdre la maîtrise de l'outil si votre attention est détournée.

#### Sécurité en matière d'électricité

1. **Les fiches d'outil électrique sont conçues pour s'adapter parfaitement aux prises de courant. Ne modifiez jamais la fiche de quelque façon que ce soit. N'utilisez aucun adaptateur de fiche sur les outils électriques avec mise à la terre.** En ne modifiant pas les fiches et en les insérant dans des prises de courant pour lesquelles elles ont été conçues, vous réduirez les risques de choc électrique.
2. **Évitez tout contact corporel avec les surfaces mises à la terre, telles que tuyaux, radiateurs, cuisinières et réfrigérateurs.** Le risque de choc électrique est plus élevé si votre corps se trouve mis à la terre.
3. **N'exposez pas les outils électriques à la pluie ou à l'eau.** La présence d'eau dans un outil électrique augmente le risque de choc électrique.
4. **Ne maltraitez pas le cordon. N'utilisez jamais le cordon pour transporter, tirer ou débrancher l'outil électrique. Maintenez le cordon à l'écart des sources de chaleur, de l'huile, des objets à bords tranchants et des pièces en mouvement.** Le risque de choc électrique est plus élevé lorsque les cordons sont endommagés ou enchevêtrés.
5. **Lorsque vous utilisez un outil électrique à l'extérieur, utilisez un cordon prolongateur conçu pour l'usage extérieur.** Les risques de choc électrique est moindre lorsqu'un cordon conçu pour l'usage extérieur est utilisé.

6. **Si vous devez utiliser un outil électrique dans un endroit humide, utilisez une source d'alimentation protégée par un disjoncteur de fuite à la terre.** L'utilisation d'un disjoncteur de fuite à la terre réduit le risque de choc électrique.
3. **Débranchez la fiche de la source d'alimentation et/ou retirez le bloc-piles de l'outil électrique avant d'effectuer tout réglage, de remplacer un accessoire ou de ranger l'outil électrique.** De telles mesures préventives réduisent les risques de démarrage accidentel de l'outil électrique.

### Sécurité personnelle

1. **Restez alerte, attentif à vos mouvements et faites preuve de bon sens lorsque vous utilisez un outil électrique. N'utilisez pas les outils électriques si vous êtes fatigué ou avez pris une drogue, de l'alcool ou un médicament.** Un moment d'inattention pendant l'utilisation d'un outil électrique peut entraîner une grave blessure.
2. **Portez des dispositifs de protection personnelle. Portez toujours une protection oculaire.** Les risques de blessure seront moins élevés si vous utilisez des dispositifs de protection tels qu'un masque anti-poussière, des chaussures à semelle antidérapante, une coiffure résistante ou une protection d'oreilles.
3. **Évitez les démarrages accidentels. Assurez-vous que l'interrupteur est en position d'arrêt avant de brancher l'outil à la prise de courant et/ou au bloc-piles, et avant de prendre ou de transporter l'outil.** Vous ouvrez la porte aux accidents si vous transportez les outils électriques avec le doigt sur l'interrupteur ou si vous les branchez alors que l'interrupteur est en position de marche.
4. **Retirez toute clé de réglage ou de serrage avant de mettre l'outil électrique sous tension.** Toute clé laissée en place sur une pièce rotative de l'outil électrique peut entraîner une blessure.
5. **Ne vous étirez pas exagérément. Assurez-vous d'une bonne prise au sol et d'un bon équilibre en tout temps.** Cela vous permettra d'avoir une meilleure maîtrise de l'outil électrique dans les situations imprévues.
6. **Portez des vêtements adéquats. Ne portez ni vêtements amples ni bijoux. Vous devez maintenir cheveux, vêtements et gants à l'écart des pièces en mouvement.** Les pièces en mouvement peuvent happer les vêtements amples, les bijoux et les cheveux longs.
7. **Si des accessoires sont fournis pour raccorder un appareil d'aspiration et de collecte de la poussière, assurez-vous qu'ils sont correctement raccordés et qu'ils sont utilisés de manière adéquate.** L'utilisation d'un appareil de collecte permet de réduire les risques liés à la présence de poussière dans l'air.
4. **Après l'utilisation d'un outil électrique, rangez-le hors de portée des enfants et ne laissez aucune personne l'utiliser si elle n'est pas familiarisée avec l'outil électrique ou les présentes instructions d'utilisation.** Les outils électriques représentent un danger entre les mains de personnes qui n'en connaissent pas le mode d'utilisation.
5. **Veillez à l'entretien des outils électriques. Assurez-vous que les pièces mobiles ne sont pas désalignées ou coincées, qu'aucune pièce n'est cassée et que l'outil électrique n'a subi aucun dommage affectant son bon fonctionnement. Le cas échéant, faites réparer l'outil électrique avant de l'utiliser.** De nombreux accidents sont causés par des outils électriques mal entretenus.
6. **Maintenez les outils tranchants bien aiguisés et propres.** Un outil tranchant dont l'entretien est effectué correctement et dont les bords sont bien aiguisés risquera moins de se coincer et sera plus facile à maîtriser.
7. **Utilisez l'outil électrique, ses accessoires, ses embouts, etc., en respectant les présentes instructions, en tenant compte des conditions de travail et du type de travail à effectuer.** L'utilisation d'un outil électrique pour d'autres usages que ceux prévus peut entraîner une situation dangereuse.

### Réparation

1. **Faites réparer votre outil électrique par un réparateur qualifié qui utilise des pièces de rechange identiques aux pièces d'origine.** Le maintien de la sûreté de l'outil électrique sera ainsi assuré.
2. **Suivez les instructions de lubrification et de remplacement des accessoires.**
3. **Maintenez les poignées de l'outil sèches, propres et exemptes d'huile ou de graisse.**

**UTILISEZ UN CORDON PROLONGATEUR APPROPRIÉ.** Assurez-vous que votre cordon prolongateur est en bonne condition. Lorsque vous utilisez un cordon prolongateur, assurez-vous qu'il est assez robuste pour transporter le courant exigé par le produit. Un cordon trop petit entraînera une baisse dans la tension composée, ce qui causera une perte d'énergie et une surchauffe. Le tableau 1 indique la dimension de cordon à utiliser, en fonction de la longueur du cordon et de l'intensité nominale figurant sur la plaque signalétique. En cas de doute, utilisez un calibre plus robuste. Plus le numéro de calibre est bas, plus le cordon est robuste.

### Utilisation et entretien des outils électriques

1. **Ne forcez pas l'outil électrique. Utilisez l'outil électrique adéquat suivant le type de travail à effectuer.** Si vous utilisez l'outil électrique adéquat et respectez le régime pour lequel il a été conçu, il effectuera un travail de meilleure qualité et plus sécuritaire.
2. **N'utilisez pas l'outil électrique s'il n'est pas possible de l'allumer et de l'éteindre avec son interrupteur.** Un outil électrique dont l'interrupteur est défectueux représente un danger et doit être réparé.

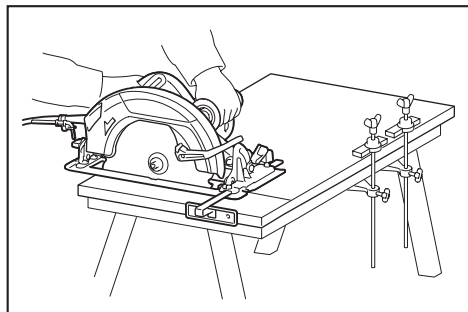
**Tableau 1 : Calibre minimum du cordon**

Intensité nominale		Volts		Longueur totale du cordon en pieds			
		120 V		25 ft.	50 ft.	100 ft.	150 ft.
		220 V - 240 V		50 ft.	100 ft.	200 ft.	300 ft.
Plus de	Pas plus de	Calibre américain des fils					
0 A	6 A	-	18	16	16	14	
6 A	10 A		18	16	14	12	
10 A	12 A		16	16	14	12	
12 A	16 A		14	12	Non recommandé		

## Consignes de sécurité pour scie circulaire

### Procédures de coupe

- ⚠ DANGER : N'approchez pas les mains de la zone de coupe ou de la lame. Gardez l'autre main sur la poignée auxiliaire ou sur le carter du moteur.** En tenant la scie avec vos deux mains, vous mettez celles-ci à l'abri de la lame.
- N'étendez pas la main sous la pièce.** Le protecteur ne peut pas vous protéger contre la lame sous la pièce.
- Ajustez la profondeur de coupe en fonction de l'épaisseur de la pièce.** La partie de la lame visible sous la pièce doit être inférieure à une dent de lame complète.
- Ne maintenez jamais la pièce à scier dans vos mains ou sur votre jambe. Immobilisez la pièce sur une surface stable.** Il est important de soutenir adéquatement la pièce afin de minimiser l'exposition du corps, les coincements de lame ou les pertes de maîtrise.



- Tenez uniquement l'outil électrique par ses surfaces de prise isolées pendant toute opération où l'outil de coupe pourrait venir en contact avec un câblage dissimulé ou avec son propre cordon.** En cas de contact avec un fil sous tension, les pièces métalliques à découvert de l'outil deviendraient également sous tension et risqueraient de transmettre une décharge à l'utilisateur.
- Lors du sciage en long, utilisez toujours un garde parallèle ou un guide de coupe rectiligne.** Cela améliore la précision de la coupe et réduit le risque de coincement de la lame.
- Employez toujours une lame de diamètre approprié et dont le trou central est de forme correcte (angulaire ou ronde).** Une lame dont le trou ne correspond pas à la forme du moyeu de fixation de la scie risque de tourner de façon excentrique et de vous faire perdre la maîtrise de l'outil.

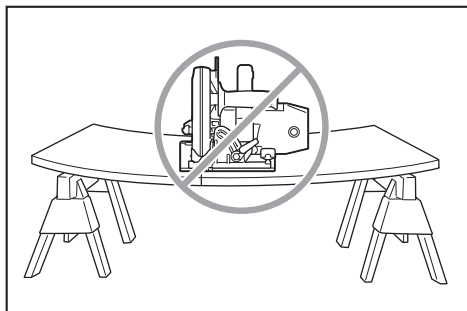
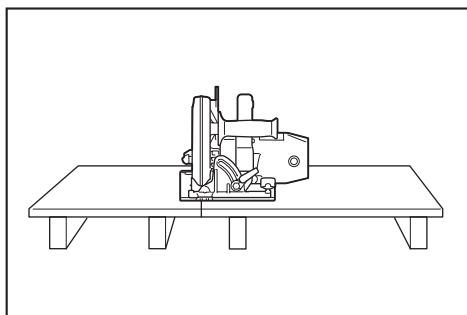
- N'utilisez jamais de rondelles ou boulons endommagés ou inadéquats pour fixer la lame.** Les rondelles et le boulon de la lame ont été conçus spécialement pour votre scie, afin d'assurer un fonctionnement optimal et un travail sécuritaire.

### Causes du recul et avertissements connexes

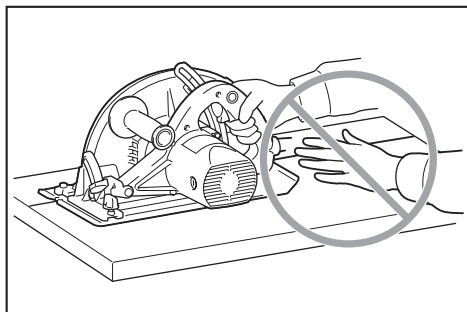
- le recul est une réaction soudaine survenant lorsque la lame de scie, coincée, pincée ou mal alignée devient incontrôlable, se soulève hors de la pièce et se dirige vers l'utilisateur ;
- lorsque la lame se trouve solidement coincée ou pincée par le trait de scie qui se referme sur elle, elle se bloque et une réaction du moteur entraîne alors l'outil rapidement vers l'utilisateur ;
- si la lame se tord ou se désaligne par rapport à la ligne de coupe, les dents arrière risquent de s'enfoncer dans la surface du bois et la lame de quitter le trait de scie en reculant brusquement vers l'utilisateur.

Le recul est le résultat d'une utilisation inadéquate de la scie et/ou de procédures ou conditions d'utilisation incorrectes ; on peut l'éviter en prenant des précautions adéquates, indiquées ci-dessous.

- Maintenez une prise ferme à deux mains sur la scie, et placez vos bras de manière à pouvoir résister à la force exercée lors des reculs. Posez votre corps d'un côté ou de l'autre de la lame, jamais dans sa ligne de coupe.** Un recul peut faire sauter la scie vers l'arrière, mais l'utilisateur pourra maîtriser la force exercée par ce recul s'il prend les précautions nécessaires.
- Lorsque la lame se coince ou lorsque vous interrompez la coupe pour une raison quelconque, libérez la gâchette et gardez la scie immobile dans le matériau jusqu'à ce que la lame s'arrête parfaitement.** N'essayez jamais de retirer la scie de la pièce ou de faire reculer la scie pendant que la lame tourne, autrement il y a risque de recul. Identifiez la cause du coincement de la lame et prenez les mesures correctives pour éliminer le problème.
- Avant de faire redémarrer la scie dans la pièce, centrez la lame de scie dans le trait de scie et assurez-vous que les dents de la scie ne mordent pas déjà dans le matériau.** Si la lame de scie est coincée, elle risque de remonter dans le trait de scie ou de causer un recul au moment du redémarrage de la scie.
- Les grands panneaux doivent être soutenus pour minimiser les risques de recul causés par le coincement de la lame.** Les grands panneaux ont tendance à s'affaisser sous leur propre poids. Des supports doivent être installés sous le panneau, des deux côtés, près de la ligne de coupe et près du bord du panneau.



5. **N'utilisez jamais les lames émoussées ou endommagées.** Les lames mal affûtées ou mal avoyées produisent un trait de scie étroit qui donne lieu à un frottement excessif, au coincement de la lame et à un recul.
6. **Avant d'effectuer la coupe, les leviers de verrouillage de la profondeur de coupe et de la coupe en biseau doivent être fermement serrés.** Il y a risque de pincement et de recul si les réglages de la lame se modifient pendant la coupe.
7. **Soyez particulièrement prudent lors des coupes dans une cloison existante ou tout autre matériau dont l'arrière n'est pas visible.** La lame pourrait rencontrer un objet dur, ce qui provoquerait un recul.
8. **Tenez TOUJOURS l'outil fermement à deux mains. Ne placez JAMAIS une main, une jambe ou toute autre partie du corps sous la base de l'outil ou derrière la scie, et ce tout particulièrement lors des coupes transversales.** En cas de recul, la scie peut facilement bondir vers l'arrière et vous blesser gravement en passant sur votre main.



9. **Ne forcez jamais la scie. Poussez la scie vers l'avant à une vitesse permettant à la lame de couper sans ralentir.** Le fait de forcer la scie peut causer une coupe inégale, une perte de précision ou un recul.

#### Fonctionnement du protecteur inférieur

1. **Avant chaque utilisation, assurez-vous que le protecteur inférieur se referme bien. N'utilisez pas la scie si le protecteur inférieur ne se déplace pas librement et ne se referme pas instantanément. N'immobilisez ou ne fixez jamais le protecteur inférieur en position ouverte.** Le protecteur inférieur risque de plier si la scie est échappée par accident. Soulevez le protecteur inférieur à l'aide de la poignée de rappel et assurez-vous qu'il se déplace librement et n'entre pas en contact avec la lame ni toute autre pièce, quels que soient l'angle et la profondeur de coupe.
2. **Vérifiez le fonctionnement du ressort du protecteur inférieur. Le protecteur et le ressort doivent être réparés avant l'utilisation s'ils ne fonctionnent pas correctement.** Le fonctionnement du protecteur inférieur peut être ralenti par des pièces endommagées, des dépôts collants ou l'accumulation de débris.
3. **Le protecteur inférieur ne doit être ramené manuellement que pour les coupes spéciales, telles que les « coupes en plongée » et les « coupes mixtes ».** Soulevez le protecteur inférieur à l'aide de la poignée de rappel et libérez-le dès que la lame entre en contact avec le matériau. Pour tout autre type de coupe, il faut laisser le protecteur inférieur fonctionner de lui-même.
4. **Assurez-vous toujours que le protecteur inférieur couvre bien la lame avant de déposer la scie sur l'établi ou sur le sol.** Si la lame n'est pas protégée et n'a pas fini de tourner, elle entraînera la scie vers l'arrière en coupant tout sur son passage. Soyez conscient du temps nécessaire pour que la lame s'arrête après que vous avez relâché la gâchette.
5. **Pour vérifier le fonctionnement du protecteur inférieur, ouvrez-le manuellement, relâchez-le et observez s'il se referme. Assurez-vous aussi que la poignée de rappel ne touche pas le carter de l'outil.** Laisser une lame exposée est TRÈS DANGEREUX et peut entraîner une grave blessure.

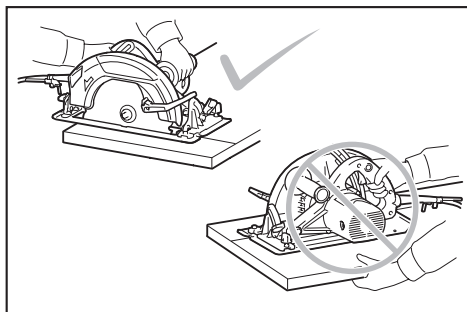
#### Consignes de sécurité supplémentaires

1. **Utilisation prévue**  
Cet outil est destiné à la coupe de produits de bois uniquement. L'accumulation de sciure de bois et autres matières sur le protecteur inférieur et sur le moyeu peut entraver la fermeture adéquate du protecteur inférieur et entraîner une grave blessure.
2. **Redoublez de prudence lorsque vous coupez du bois humide, du bois traité sous pression ou du bois qui contient des nœuds.** Adoptez une vitesse de coupe de telle sorte que l'outil continue d'avancer en douceur, sans que la vitesse de la lame ne diminue, pour éviter la surchauffe de la pointe de la lame.

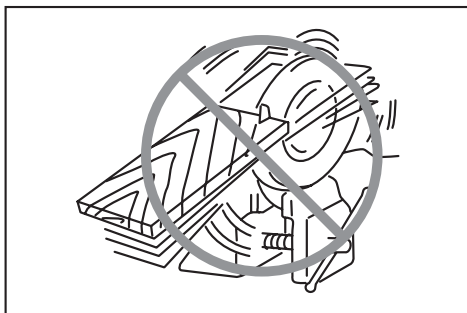


3. **N'essayez pas de retirer le matériau coupé pendant que la lame tourne. Attendez que la lame s'arrête avant de retirer le matériau coupé.** Les lames tournent en roue libre après la mise hors tension.
4. **Évitez les clous. Avant la coupe, vérifiez la présence de clous dans le bois et retirez-les le cas échéant.**
5. **Placez la partie la plus grande de la base de la scie sur la partie de la pièce qui est solidement soutenue, non sur celle qui tombera une fois la coupe terminée. Si la pièce est courte ou petite, installez-la dans un dispositif de serrage. N'ESSAYEZ PAS DE TENIR LES COURTES PIÈCES UNIQUEMENT AVEC LA MAIN !**
12. **Maintenez la lame affûtée et propre.** Les dépôts de colle et les copeaux de bois durcis sur la lame ralentissent la scie et augmentent les risques de recul. Pour nettoyer la lame, retirez-la d'abord de l'outil, puis utilisez un décapant, de l'eau chaude ou du kérosène pour retirer la colle et les copeaux. N'utilisez jamais d'essence.
13. **Portez un masque antipoussières et des protections d'oreilles lorsque vous utilisez l'outil.**
14. **Utilisez toujours la lame de scie conçue pour couper le matériau que vous allez couper.**

## CONSERVEZ CE MODE D'EMPLOI.



6. **Avant de déposer l'outil une fois la coupe terminée, assurez-vous que le protecteur est fermé et que la lame est complètement arrêtée.**
7. **Ne tentez jamais de scier en plaçant la scie circulaire la tête en bas dans un étau. Cela est très dangereux et peut entraîner de graves accidents.**




8. **Certains matériaux contiennent des produits chimiques qui peuvent être toxiques. Prenez les précautions nécessaires pour éviter l'inhalation de ces poussières ou leur contact avec la peau. Conformez-vous aux consignes de sécurité du fournisseur du matériau.**
9. **N'appliquez jamais une pression latérale sur la lame de scie pour l'arrêter.**
10. **N'utilisez aucune meule abrasive.**
11. **N'utilisez que la lame de scie dont le diamètre correspond aux indications données sur l'outil ou dans le manuel. L'utilisation d'une lame d'une taille incorrecte peut affecter la protection de la lame ou le fonctionnement du protecteur, ce qui comporte un risque de grave blessure.**

**⚠ MISE EN GARDE : NE VOUS LAISSEZ PAS tromper (au fil d'une utilisation répétée) par un sentiment d'aisance ou de familiarité avec le produit en négligeant les consignes de sécurité qui accompagnent le produit. L'UTILISATION INCORRECTE ou l'ignorance des consignes de sécurité du présent manuel d'instructions comporte un risque de blessure grave.**

## Symboles

Les symboles utilisés pour l'outil sont indiqués ci-dessous.

V	volts
A	ampères
Hz	hertz
~	courant alternatif
n.	vitesse à vide
	construction, catégorie II
.../min	tours ou alternances par minute
r/min	



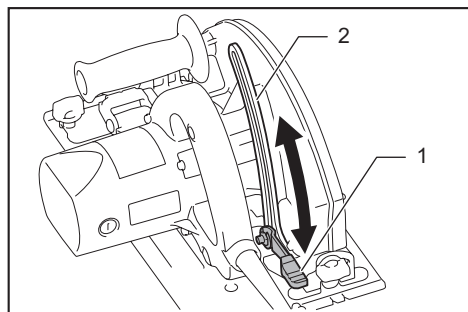
# DESCRIPTION DU FONCTIONNEMENT

**⚠ ATTENTION :** Assurez-vous toujours que l'outil est hors tension et débranché avant de l'ajuster ou de vérifier son fonctionnement.

## Réglage de la profondeur de coupe

**⚠ ATTENTION :** Après avoir ajusté la profondeur de coupe, serrez toujours fermement le levier.

Desserrez le levier du guide de profondeur puis déplacez la base vers le haut ou le bas. À la profondeur de coupe désirée, fixez la base en serrant le levier. Pour obtenir des coupes plus propres et sans danger, réglez la profondeur de coupe de sorte que pas plus d'une dent de lame ne dépasse sous la pièce. L'utilisation d'une profondeur de coupe adéquate aide à réduire les risques de RECULS dangereux qui peuvent causer des blessures.

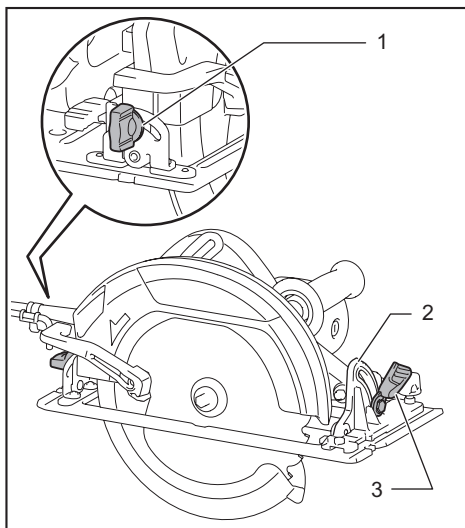


► 1. Levier 2. Guide de profondeur

## Coupe en biseau

**⚠ ATTENTION :** Après avoir ajusté l'angle de biseau, serrez toujours fermement le levier et la vis de serrage.

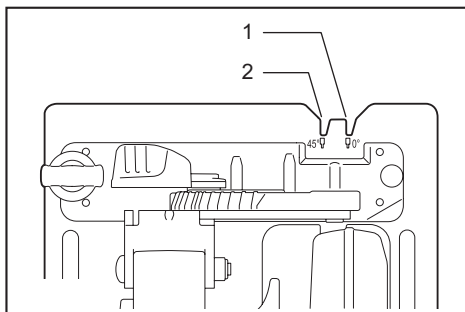
Desserrez le levier et la vis de serrage. Réglez sur l'angle désiré en inclinant, puis serrez fermement le levier et la vis de serrage.



► 1. Vis de serrage 2. Secteur angulaire 3. Levier

## Visée

Pour les coupes rectilignes, alignez sur la ligne de coupe la position 0° à l'avant de la base. Pour les coupes en biseau de 45°, alignez la position 45° sur la ligne de coupe.



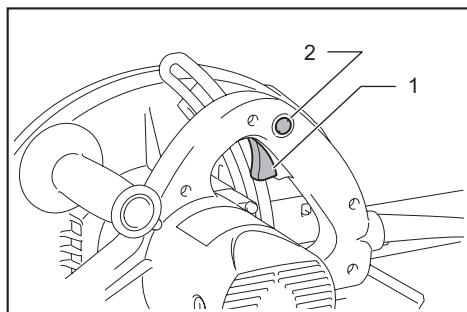
► 1. Ligne de coupe (position 0°) 2. Ligne de coupe (position 45°)

## Interrupteur

**⚠ MISE EN GARDE :** Avant de brancher l'outil, assurez-vous toujours que la gâchette fonctionne correctement et revient en position d'arrêt une fois relâchée.

**⚠ MISE EN GARDE :** Le bouton de sécurité ne doit JAMAIS être immobilisé avec du ruban adhésif ou de toute autre façon. Une gâchette dont le bouton de sécurité est neutralisé peut causer la mise en marche accidentelle et une grave blessure.

**⚠ MISE EN GARDE :** N'utilisez JAMAIS l'outil s'il s'active simplement en appuyant sur la gâchette sans enfoncer le bouton de sécurité. Une gâchette défectueuse peut causer la mise en marche accidentelle et une grave blessure. AVANT de poursuivre l'utilisation, retournez l'outil à un centre de service après-vente Makita pour le faire réparer.



► 1. Gâchette 2. Bouton de sécurité

Un bouton de sécurité est fourni pour prévenir la pression accidentelle sur la gâchette. Pour faire démarrer l'outil, enfoncez le bouton de sécurité puis appuyez sur la gâchette. Pour l'arrêter, relâchez la gâchette.

**AVIS :** Ne tirez pas fortement sur la gâchette sans avoir d'abord enfoncé le bouton de sécurité. Vous risquez de casser la gâchette.

## ASSEMBLAGE

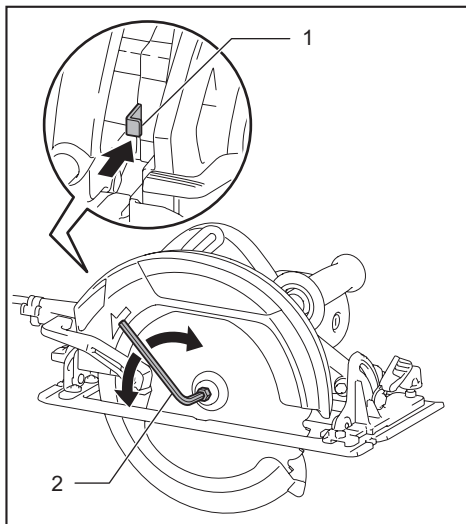
**⚠ ATTENTION :** Avant d'effectuer toute intervention sur l'outil, assurez-vous toujours qu'il est hors tension et débranché.

### Retrait ou pose de la lame de scie circulaire

**⚠ ATTENTION :** Assurez-vous que la lame de scie circulaire est installée avec les dents orientées vers le haut à l'avant de l'outil.

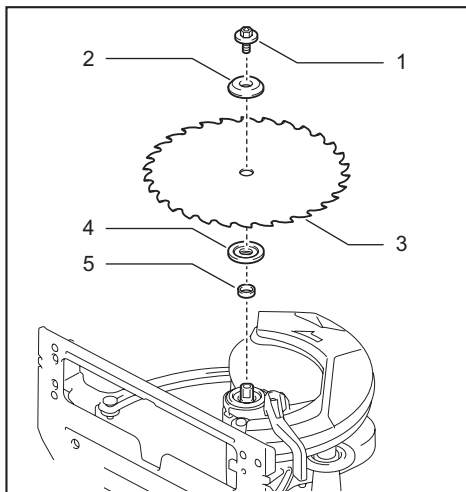
**⚠ ATTENTION :** Utilisez exclusivement une clé Makita pour installer ou retirer la lame de scie circulaire.

Pour retirer la lame de scie circulaire, appuyez à fond sur le blocage de l'arbre de sorte que la lame ne puisse pas tourner, et utilisez la clé pour desserrer le boulon hexagonal en tournant dans le sens contraire des aiguilles d'une montre. Retirez ensuite le boulon hexagonal, l'anneau (selon le pays), la bague externe et la lame de scie circulaire.



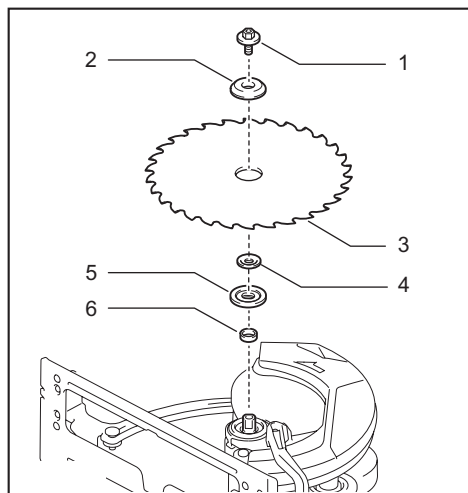
► 1. Blocage de l'arbre 2. Clé hexagonale

### Pour outil sans anneau



► 1. Boulon hexagonal 2. Bague externe 3. Lame de scie circulaire 4. Bague interne 5. Bague de l'arbre

### Pour outil avec anneau

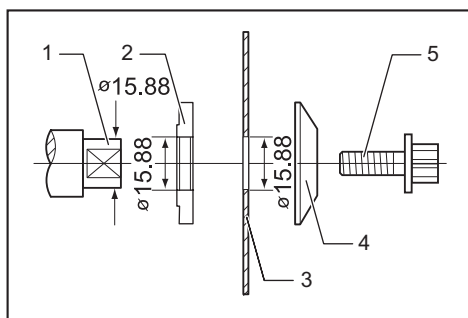


- 1. Boulon hexagonal 2. Bague externe 3. Lame de scie circulaire 4. Anneau 5. Bague interne 6. Bague de l'arbre

Pour poser la lame de scie circulaire, effectuez le contraire de la procédure de retrait.

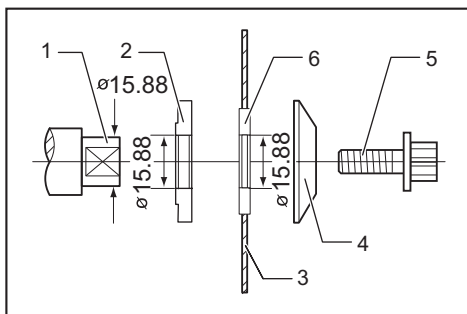
Montez la bague interne avec sa face concave orientée vers l'arbre de montage, puis installez la lame de scie (avec l'anneau fixé si nécessaire), la bague externe et le boulon hexagonal.

### Pour outil sans anneau



- 1. Arbre de montage 2. Bague interne 3. Lame de scie circulaire 4. Bague externe 5. Boulon hexagonal

### Pour outil avec anneau



- 1. Arbre de montage 2. Bague interne 3. Lame de scie circulaire 4. Bague externe 5. Boulon hexagonal 6. Anneau

**▲ MISE EN GARDE : ASSUREZ-VOUS D'AVOIR FERMEMENT SERRÉ LE BOULON HEXAGONAL, DANS LE SENS DES AIGUILLES D'UNE MONTRE. Évitez toutefois de trop forcer en serrant le boulon. Il y a risque de blessure si votre main glisse de la clé hexagonale.**

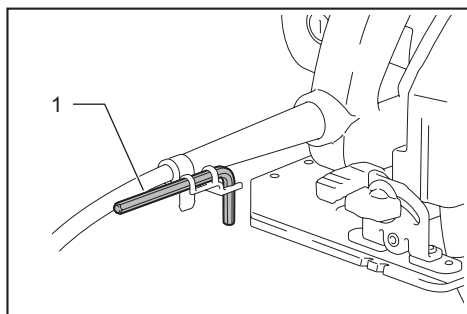
**▲ MISE EN GARDE : Si un anneau est nécessaire pour monter la lame sur l'arbre, assurez-vous d'installer entre les bagues interne et externe l'anneau qui correspond au diamètre intérieur de la lame que vous prévoyez utiliser. L'utilisation d'un anneau dont le diamètre intérieur est incorrect peut causer un montage inadéquat de la lame, ce qui la fera bouger et vibrer sévèrement, entraînant un risque de perte de contrôle pendant l'utilisation et de grave blessure.**

### Nettoyage du protecteur de lame

Lors du changement de la lame de scie circulaire, assurez-vous de nettoyer la sciure de bois présente sur les protecteurs de lame supérieur et inférieur, tel qu'indiqué dans la section Entretien. Il est également nécessaire de vérifier le fonctionnement du protecteur inférieur avant chaque utilisation.

### Rangement de la clé hexagonale

Lorsque vous n'utilisez pas la clé hexagonale, rangez-la de la façon indiquée sur la figure pour éviter de l'égarer.



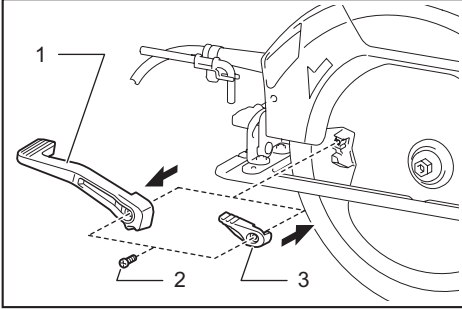
- 1. Clé hexagonale

## Raccordement à un aspirateur

### Accessoire en option

Pour effectuer un travail de coupe propre, raccordez un aspirateur Makita à l'outil à l'aide du raccord à poussières.

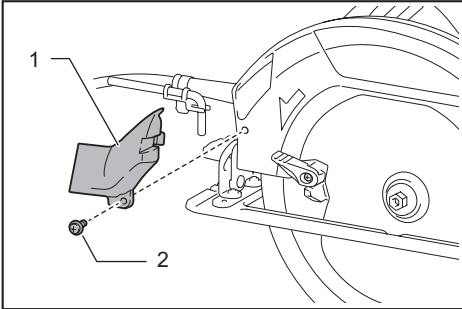
1. Remplacez le levier original de l'outil par celui fourni avec le raccord à poussières.



- 1. Levier original 2. Vis 3. Levier fourni avec le raccord à poussières

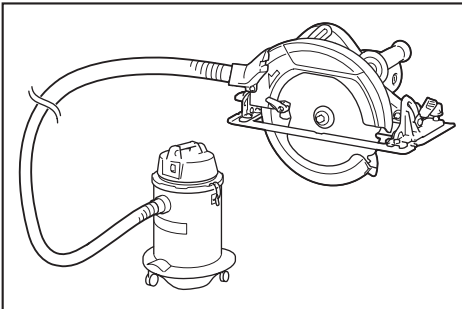
N'utilisez pas le raccord à poussières en laissant le levier long fixé. Vous ne pourrez pas effectuer la coupe, car le mouvement de la protection inférieure sera gêné par le raccord à poussières.

2. Posez le raccord à poussières sur l'outil à l'aide de la vis.



- 1. Raccord à poussières 2. Vis

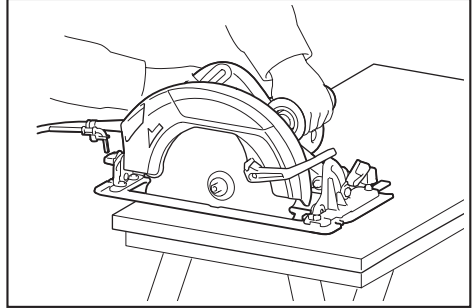
3. Raccordez le tuyau de l'aspirateur au raccord à poussières.



## UTILISATION

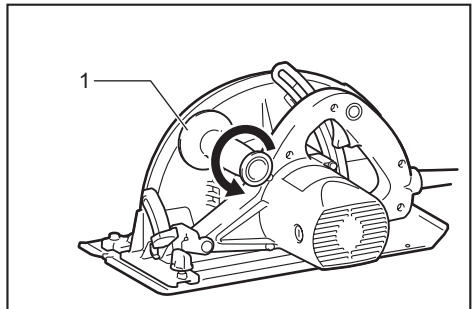
**⚠ATTENTION** : Portez un masque antipoussières lorsque vous effectuez le travail de coupe.

**⚠ATTENTION** : Assurez-vous de déplacer l'outil doucement vers l'avant, en ligne droite. Le fait de forcer ou de tordre l'outil entraînera une surchauffe du moteur et un dangereux recul, ce qui comporte un risque de blessure grave.



Tenez l'outil fermement. L'outil est équipé d'une poignée avant et d'une poignée arrière. Utilisez les deux poignées pour assurer la meilleure prise possible sur l'outil. En tenant la scie avec vos deux mains, vous mettez celles-ci à l'abri de la lame de scie circulaire. Posez la base sur la pièce à couper, sans que la lame de scie circulaire n'entre en contact avec quoi que ce soit. Allumez ensuite l'outil et attendez que la lame de scie circulaire atteigne sa pleine vitesse. Faites alors simplement avancer l'outil sur la surface de la pièce, en le maintenant de niveau et en le faisant avancer doucement jusqu'à ce que la coupe soit terminée. Pour obtenir des coupes nettes, maintenez votre ligne de coupe bien droite et la vitesse de progression uniforme. Si la lame dévie de la ligne de coupe prévue, ne tentez pas de modifier la course de l'outil pour le forcer à revenir sur la ligne de coupe. La lame de scie circulaire risquerait alors de se coincer, ce qui comporte un risque de recul dangereux et de blessure grave. Libérez la gâchette, attendez que la lame de scie circulaire s'arrête, puis retirez l'outil. Réalignez l'outil sur une nouvelle ligne de coupe, puis poursuivez la coupe. Évitez toute position vous exposant aux copeaux et sciures de bois éjectés par la scie. Portez des lunettes de protection pour réduire les risques de blessure.

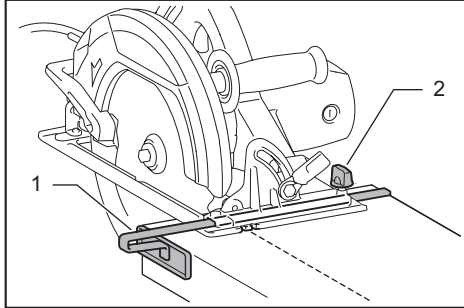
Si la poignée avant se desserre, tournez-la dans le sens contraire des aiguilles d'une montre pour la serrer.



- 1. Poignée avant

## Garde parallèle (règle de guidage)

### Accessoire en option



- 1. Garde parallèle (règle de guidage) 2. Vis de serrage

Un garde parallèle pratique vous permet d'effectuer des coupes droites d'une extrême précision. Faites simplement glisser le garde parallèle le long du côté de la pièce en le maintenant en position à l'aide de la vis située à l'avant de la base. Cela permet également d'effectuer plusieurs coupes d'une largeur uniforme.

## ENTRETIEN

**⚠ ATTENTION :** Assurez-vous toujours que l'outil est hors tension et débranché avant d'y effectuer tout travail d'inspection ou d'entretien.

**⚠ ATTENTION :** Nettoyez le protecteur pour vérifier l'absence de sciure de bois et de copeaux, car ils peuvent entraver le fonctionnement du système de protection. Un système de protection sale risque de ne pas fonctionner correctement et d'entraîner de graves blessures. La méthode la plus efficace pour effectuer ce nettoyage consiste à utiliser de l'air comprimé. Si la poussière est retirée du protecteur par soufflage, assurez-vous d'utiliser une protection pour les yeux et un masque approprié.

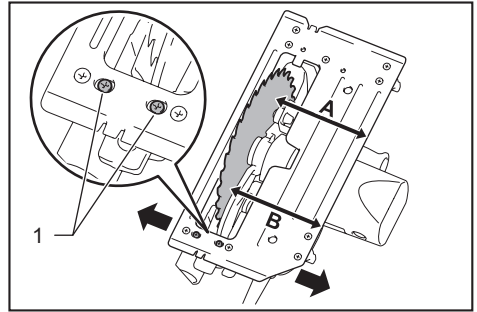
**AVIS :** N'utilisez jamais d'essence, de benzine, de solvant, d'alcool ou autres produits similaires. Une décoloration, une déformation ou la formation de fissures peuvent en découler.

### Réglage du parallélisme

Ce réglage est effectué en usine. Au besoin, vous pouvez reprendre le réglage en procédant comme suit.

1. Assurez-vous que tous les leviers et vis sont serrés. Desserrez légèrement la vis indiquée.
2. Tout en ouvrant la protection inférieure, déplacez l'arrière de la base de sorte que les distances A et B soient égales.

3. Serrez les vis et faites un essai de coupe pour vérifier le parallélisme.

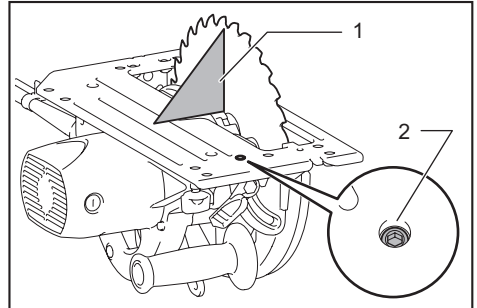


- 1. Vis

### Réglage de la précision de coupe 0°

Ce réglage est effectué en usine. Au besoin, vous pouvez reprendre le réglage en procédant comme suit.

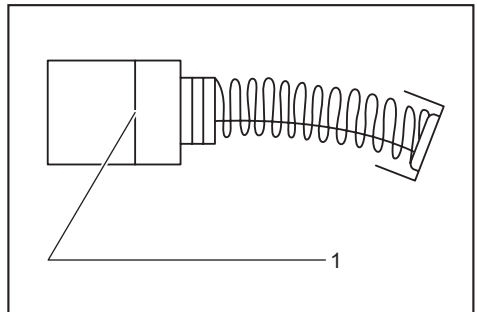
1. Desserrez légèrement le levier et la vis de serrage à l'avant et à l'arrière de l'outil.
2. À l'aide d'une règle triangulaire ou d'une équerre, placez la base perpendiculairement à la lame en tournant la vis de réglage.



- 1. Règle triangulaire 2. Vis de réglage

3. Serrez le levier et la vis de serrage et faites un essai de coupe pour vérifier la verticalité.

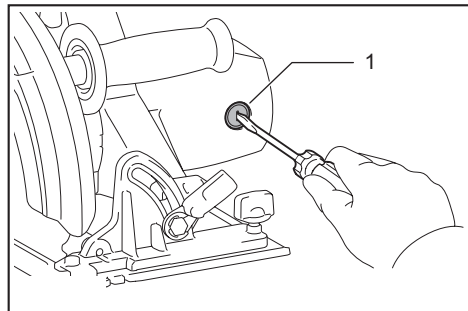
### Remplacement des charbons



- 1. Trait de limite d'usure

Vérifiez les charbons régulièrement. Remplacez-les lorsqu'ils sont usés jusqu'au trait de limite d'usure. Maintenez les charbons propres et en état de glisser aisément dans les porte-charbon. Les deux charbons doivent être remplacés en même temps. N'utilisez que des charbons identiques.

1. Utilisez un tournevis pour retirer les capuchons de porte-charbon.
2. Enlevez les charbons usés, insérez-en de nouveaux et revissez solidement les capuchons de porte-charbon.



► 1. Capuchon de porte-charbon

Pour maintenir la SÉCURITÉ et la FIABILITÉ du produit, les réparations et tout autre travail d'entretien ou de réglage doivent être effectués dans un centre de service après-vente autorisé ou une usine Makita, exclusivement avec des pièces de rechange Makita.

**NOTE** : Certains éléments de la liste peuvent être inclus avec l'outil comme accessoires standards. Ils peuvent varier suivant les pays.

## GARANTIE LIMITÉE MAKITA

Pour les conditions de garantie en vigueur qui s'appliquent à ce produit, veuillez vous reporter à la feuille de garantie en annexe. Si la feuille de garantie en annexe n'est pas disponible, reportez-vous aux détails de la garantie présentés sur le site Web de votre pays, ci-dessous.

États-Unis d'Amérique: [www.makitatools.com](http://www.makitatools.com)

Canada: [www.makita.ca](http://www.makita.ca)

Autres pays: [www.makita.com](http://www.makita.com)

## ACCESSOIRES EN OPTION

**⚠ ATTENTION** : Ces accessoires ou pièces complémentaires sont recommandés pour l'utilisation avec l'outil Makita spécifié dans ce manuel.

L'utilisation de tout autre accessoire ou pièce complémentaire peut comporter un risque de blessure. N'utilisez les accessoires ou pièces complémentaires qu'aux fins auxquelles ils ont été conçus.

Si vous désirez obtenir plus de détails sur ces accessoires, veuillez contacter le centre de service après-vente Makita le plus près.

- Lame de scie circulaire
- Garde parallèle (Règle de guidage)
- Clé hexagonale
- Raccord à poussières
- Rail-guide
- Guide de coupe en biseau
- Dispositif de serrage
- Feuille
- Feuille de caoutchouc
- Feuille de positionnement
- Adaptateur de rail-guide
- Barre graduée
- Support

## ESPECIFICACIONES

<b>Modelo:</b>		<b>HS0600</b>
Especificaciones eléctricas en México		120 V ~ 15 A 50/60 Hz
Diámetro del disco		260 mm (10-1/4")
Profundidad de corte máxima	a 0°	97 mm (3-13/16")
	bisel a 45°	68 mm (2-11/16")
	bisel a 50°	61 mm (2-3/8")
Velocidad sin carga		4 300 r/min
Longitud total		418 mm (16-1/2")
Peso neto		6,9 kg (15,2 lbs)
Clase de seguridad		□/II

- Debido a nuestro programa continuo de investigación y desarrollo, las especificaciones aquí dadas están sujetas a cambios sin previo aviso.
- Las especificaciones pueden variar de país a país.
- Peso de acuerdo con el procedimiento 01/2014 de EPTA

## ADVERTENCIAS DE SEGURIDAD

### Advertencias generales de seguridad para herramientas eléctricas

**⚠ADVERTENCIA:** Lea todas las advertencias de seguridad e instrucciones. El no seguir las advertencias e instrucciones indicadas puede ocasionar una descarga eléctrica, un incendio y/o lesiones graves.

### Conserve todas las advertencias e instrucciones como referencia en el futuro.

En las advertencias, el término "herramienta eléctrica" se refiere a su herramienta eléctrica de funcionamiento con conexión a la red eléctrica (con cableado eléctrico) o herramienta eléctrica de funcionamiento a batería (inalámbrica).

#### Seguridad en el área de trabajo

1. **Mantenga el área de trabajo limpia y bien iluminada.** Las áreas oscuras o desordenadas son propensas a accidentes.
2. **No utilice las herramientas eléctricas en atmósferas explosivas, tal como en la presencia de líquidos, gases o polvo inflamables.** Las herramientas eléctricas crean chispas que pueden prender fuego al polvo o los humos.

3. **Mantenga a los niños y curiosos alejados mientras utiliza una herramienta eléctrica.** Las distracciones le pueden hacer perder el control.

#### Seguridad eléctrica

1. **Las clavijas de conexión de las herramientas eléctricas deberán encajar perfectamente en la toma de corriente. No modifique nunca la clavija de conexión de ninguna forma. No utilice ninguna clavija adaptadora con herramientas eléctricas que tengan conexión a tierra (puesta a tierra).** La utilización de clavijas no modificadas y que encajen perfectamente en la toma de corriente reducirá el riesgo de que se produzca una descarga eléctrica.
2. **Evite tocar con el cuerpo superficies conectadas a tierra o puestas a tierra tales como tubos, radiadores, cocinas y refrigeradores.** Si su cuerpo es puesto a tierra o conectado a tierra existirá un mayor riesgo de que sufra una descarga eléctrica.
3. **No exponga las herramientas eléctricas a la lluvia ni a condiciones húmedas.** La entrada de agua en una herramienta eléctrica aumentará el riesgo de que se produzca una descarga eléctrica.
4. **No maltrate el cable. Nunca utilice el cable para transportar, jalar o desconectar la herramienta eléctrica. Mantenga el cable alejado del calor, aceite, objetos cortantes o piezas móviles.** Los cables dañados o enredados aumentan el riesgo de sufrir una descarga eléctrica.
5. **Cuando utilice una herramienta eléctrica en exteriores, utilice un cable de extensión apropiado para uso en exteriores.** La utilización de un cable apropiado para uso en exteriores reducirá el riesgo de que se produzca una descarga eléctrica.



6. **Si no es posible evitar usar una herramienta eléctrica en condiciones húmedas, utilice un alimentador protegido con interruptor de circuito de falla a tierra (ICFT).** El uso de un ICFT reduce el riesgo de descarga eléctrica.
3. **Desconecte la clavija de la fuente de energía y/o la batería de la herramienta eléctrica antes de realizar ajustes, cambiar accesorios o guardar las herramientas eléctricas.** Dichas medidas de seguridad preventivas reducen el riesgo de que la herramienta se inicie accidentalmente.

### Seguridad personal

1. **Manténgase alerta, preste atención a lo que está haciendo y utilice su sentido común cuando opere una herramienta eléctrica. No utilice una herramienta eléctrica cuando esté cansado o bajo la influencia de drogas, alcohol o medicamentos.** Un momento de distracción mientras opera las herramientas eléctricas puede terminar en una lesión grave.
2. **Use equipo de protección personal. Póngase siempre protección para los ojos.** El equipo protector tal como máscara contra el polvo, zapatos de seguridad antiderrapantes, casco rígido y protección para oídos utilizado en las condiciones apropiadas reducirá el riesgo de lesiones.
3. **Impida el encendido accidental. Asegúrese de que el interruptor esté en la posición de apagado antes de conectar a la alimentación eléctrica y/o de colocar el cartucho de batería, así como al levantar o cargar la herramienta.** Cargar las herramientas eléctricas con su dedo en el interruptor o enchufarlas con el interruptor encendido hace que los accidentes sean comunes.
4. **Retire cualquier llave de ajuste o llave de apriete antes de encender la herramienta.** Una llave de ajuste o llave de apriete que haya sido dejada puesta en una parte giratoria de la herramienta eléctrica puede ocasionar alguna lesión.
5. **No utilice la herramienta donde no alcance. Mantenga los pies sobre suelo firme y el equilibrio en todo momento.** Esto permite un mejor control de la herramienta eléctrica en situaciones inesperadas.
6. **Use vestimenta apropiada. No use ropas sueltas ni joyas. Mantenga el cabello, la ropa y los guantes alejados de las piezas móviles.** Las prendas de vestir holgadas, las joyas y el cabello suelto podrían engancharse en las piezas móviles.
7. **Si dispone de dispositivos para la conexión de equipos de extracción y recolección de polvo, asegúrese de conectarlos y utilizarlos debidamente.** Hacer uso de la recolección de polvo puede reducir los riesgos relacionados con el polvo.

### Mantenimiento y uso de la herramienta eléctrica

1. **No fuerce la herramienta eléctrica. Utilice la herramienta eléctrica correcta para su aplicación.** La herramienta eléctrica adecuada hará un mejor trabajo y de forma más segura a la velocidad para la que ha sido fabricada.
2. **No utilice la herramienta eléctrica si el interruptor no la enciende y apaga.** Cualquier herramienta eléctrica que no pueda ser controlada con el interruptor es peligrosa y debe ser reemplazada.
4. **Guarde la herramienta eléctrica que no use fuera del alcance de los niños y no permita que las personas que no están familiarizadas con ella o con las instrucciones la operen.** Las herramientas eléctricas son peligrosas en manos de personas que no saben operarlas.
5. **Realice el mantenimiento a las herramientas eléctricas. Compruebe que no haya partes móviles desalineadas o estancadas, piezas rotas y cualquier otra condición que pueda afectar al funcionamiento de la herramienta eléctrica. Si la herramienta eléctrica está dañada, haga que se la reparen antes de utilizarla.** Muchos accidentes son ocasionados por herramientas eléctricas con mantenimiento inadecuado.
6. **Mantenga las herramientas de corte limpias y filosas.** Si recibe un mantenimiento adecuado y tiene los bordes afilados, es probable que la herramienta se atasque menos y sea más fácil controlarla.
7. **Utilice la herramienta eléctrica, los accesorios y las brocas de acuerdo con estas instrucciones, considerando las condiciones laborales y el trabajo a realizar.** Si utiliza la herramienta eléctrica para realizar operaciones distintas de las indicadas, podrá presentarse una situación peligrosa.

### Servicio

1. **Haga que una persona calificada repare la herramienta eléctrica utilizando sólo piezas de repuesto idénticas.** Esto asegura que se mantenga la seguridad de la herramienta eléctrica.
2. **Siga las instrucciones para la lubricación y cambio de accesorios.**
3. **Mantenga las agarraderas secas, limpias y sin aceite o grasa.**

### UTILICE CABLES DE EXTENSIÓN APROPIADOS.

Asegúrese de que su cable de extensión esté en buenas condiciones. Cuando utilice un cable de extensión, asegúrese de utilizar uno del calibre suficiente para conducir la corriente que demande el producto. Un cable de calibre inferior ocasionará una caída en la tensión de línea y a su vez una pérdida de potencia y sobrecalentamiento. La tabla 1 muestra la medida correcta a utilizar dependiendo de la longitud del cable y el amperaje nominal indicado en la placa de características. Si no está seguro, utilice el siguiente calibre más alto. Cuanto menor sea el número de calibre, más corriente podrá conducir el cable.



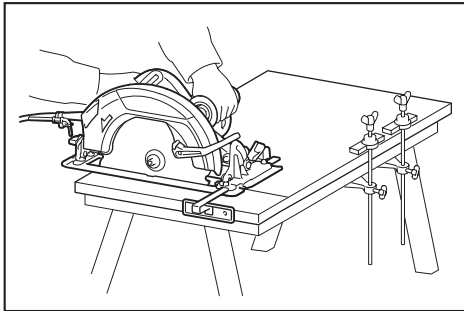
**Tabla 1: Calibre mínimo para el cable**

Amperaje nominal		Voltios	Longitud total del cable en metros			
			7 m (25 ft.)	15 m (50 ft.)	30 m (100 ft.)	45,7 m (150 ft.)
120 V ~			7 m (25 ft.)	15 m (50 ft.)	30 m (100 ft.)	45,7 m (150 ft.)
220 V ~ - 240 V ~			15 m (50 ft.)	30 m (100 ft.)	60,9 m (200 ft.)	91,4 m (300 ft.)
Más de	No más de	Calibre del cable (AWG)				
0 A	6 A	-	18	16	16	14
6 A	10 A		18	16	14	12
10 A	12 A		16	16	14	12
12 A	16 A		14	12	No se recomienda	

## Advertencias de seguridad para la sierra circular

### Procedimientos de corte

- ⚠ PELIGRO:** Mantenga las manos alejadas del área de corte y del disco. Mantenga su segunda mano sobre el mango auxiliar o sobre la carcasa del motor. Si ambas manos sujetan la sierra no pueden sufrir cortes del disco.
- Nunca meta la mano por debajo de la pieza de trabajo.** El protector no puede protegerle del disco debajo de la pieza de trabajo.
- Ajuste la profundidad de corte al grosor de la pieza de trabajo.** Debe verse menos de un diente completo por debajo de la pieza de trabajo.
- Nunca sujete la pieza que se está cortando con las manos ni entre las piernas. Fije la pieza de trabajo a una plataforma estable.** Es importante sujetar la pieza de trabajo correctamente para minimizar la exposición del cuerpo, el estancamiento del disco o la pérdida de control.



- Sujete la herramienta eléctrica sólo por las superficies de agarre aisladas al realizar una operación en la que la herramienta de corte pueda entrar en contacto con cables ocultos o con su propio cable.** Si entra en contacto con un cable con corriente, las piezas metálicas expuestas de la herramienta eléctrica se cargarán también de corriente y el operario puede recibir una descarga.
- Cuando realice un corte longitudinal, utilice siempre un tope lateral de corte o una guía de borde recto.** Esto mejora la precisión del corte y reduce la posibilidad de que el disco se atasque.

- Utilice siempre discos con orificios de husillo del tamaño y la forma (poligonal o redonda) correctos.** Los discos que no encajen con las piezas de montaje de la sierra girarán excéntricamente y producirán una pérdida de control.
- Nunca utilice arandelas o pernos de disco dañados o incorrectos.** El perno y las arandelas del disco se han diseñado específicamente para su sierra, para una seguridad y un rendimiento óptimos.

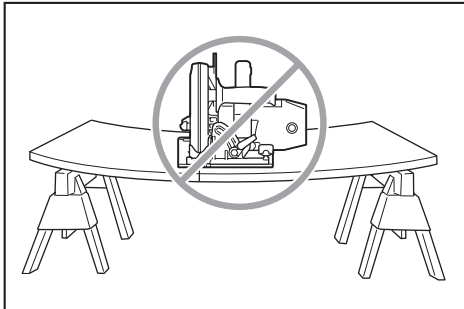
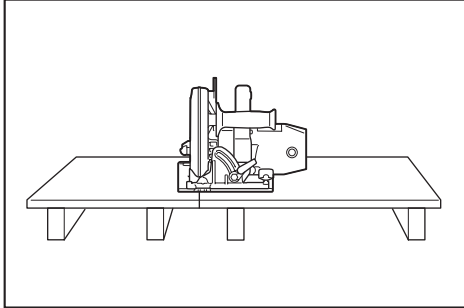
### Causas de los retrocesos bruscos y advertencias relacionadas

- Un retroceso brusco es una reacción repentina provocada por un disco aprisionado, estancado o mal alineado, que hace que una sierra se levante de forma incontrolada y se aleje de la pieza de trabajo hacia el operador;
- cuando el disco está aprisionado o estancado por la entalladura al cerrarse, se atasca y la reacción del motor empuja la unidad rápidamente hacia atrás, hacia el operador;
- si el disco se retuerce o está mal alineado en el corte, los dientes del borde posterior del disco pueden clavarse en la superficie posterior de la madera, haciendo que el disco escale la línea de corte y salte hacia el operador.

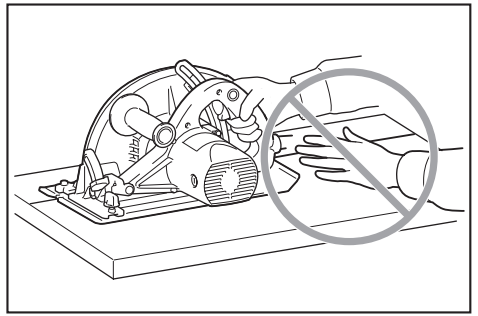
El retroceso brusco es el resultado de un mal uso de la sierra y/o de condiciones o procedimientos de uso incorrectos y se puede evitar tomando las precauciones que se indican a continuación.

- Sujete la sierra firmemente con las dos manos y coloque sus brazos de forma que ofrezcan resistencia a la fuerza del retroceso brusco. Coloque su cuerpo hacia cualquiera de los lados del disco, pero no en línea con él.** El retroceso brusco puede provocar que la sierra salte hacia atrás; no obstante, el operador puede controlar la fuerza del retroceso brusco si toma las precauciones adecuadas.
- Cuando note que el disco se atora, o cuando quiera interrumpir un corte por cualquier razón, suelte el gatillo y mantenga la sierra inmóvil en el material hasta que el disco se pare completamente. No intente nunca extraer la sierra de la pieza de trabajo ni tirar de la sierra hacia atrás mientras el disco esté moviéndose porque podrá ocasionar un retroceso brusco.** Investigue y tome medidas correctivas para eliminar la causa del atoramiento del disco.

3. **Cuando vuelva a poner en marcha la sierra sobre la pieza de trabajo, centre el disco de la sierra en la entalladura y compruebe que sus dientes no estén en contacto con el material.** Si el disco de la sierra se traba, podrá haber un retroceso brusco o un avance en la pieza al reiniciar la sierra.
4. **Sujete los paneles grandes para minimizar el riesgo de que el disco se estanque y dé un retroceso brusco.** Los paneles grandes tienden a hundirse bajo su propio peso. Deben colocarse soportes bajo el panel en ambos lados, cerca de la línea de corte y del borde del panel.



5. **No utilice discos dañados o desafilados.** Los discos colocados incorrectamente o desafilados producen un corte más angosto y causan una fricción excesiva, que el disco se doble y retrocesos bruscos.
6. **Las palancas de fijación de los ajustes de profundidad y de bisel del disco deben ser apretadas y aseguradas antes de realizar el corte.** Si el ajuste del disco cambia durante el corte, podrá ocasionar un atoramiento y retroceso brusco.
7. **Tenga especial cuidado cuando realice cortes con sierra en paredes existentes u otras áreas ciegas.** El disco protuberante puede cortar objetos que pueden provocar retrocesos bruscos.
8. **SIEMPRE sostenga firmemente la herramienta con ambas manos. NUNCA coloque su mano, pierna ni cualquier parte de su cuerpo debajo de la base de la herramienta ni detrás de la sierra, especialmente al hacer cortes longitudinales.** Si se llega a dar un retroceso brusco, la herramienta podría fácilmente saltar hacia atrás sobre su mano, ocasionando lesiones personales graves.



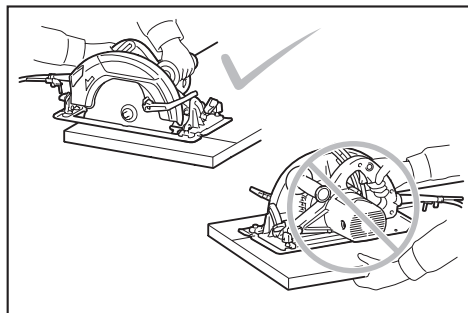
9. **Nunca fuerce la sierra. Empuje la sierra hacia adelante a una velocidad a la que el disco corte sin desacelerarse.** Forzar la sierra durante el corte puede producir cortes desiguales, perder precisión y posiblemente generar un retroceso brusco.

#### Función del protector inferior

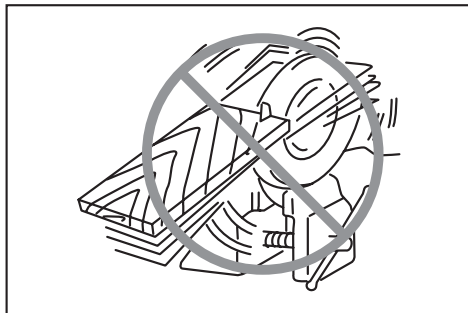
1. **Compruebe que el protector inferior esté bien cerrado antes de cada uso. No utilice la sierra si el protector inferior no se mueve libremente y se cierra instantáneamente. Nunca sujete ni mantenga el protector inferior en la posición abierta.** Si la sierra cae accidentalmente, el protector inferior se puede doblar. Levante el protector inferior con el mango retráctil y asegúrese de que se mueve libremente y de que no hace contacto con el disco ni con ninguna otra pieza en todos los ángulos y profundidades de corte.
2. **Compruebe el funcionamiento del muelle del protector inferior. Si el protector y el muelle no funcionan correctamente, deben repararse antes de utilizar la herramienta.** El protector inferior puede funcionar con lentitud debido a las piezas dañadas, depósitos pegajosos o acumulación de suciedad.
3. **El protector inferior debe retraerse manualmente sólo para cortes especiales como "cortes de penetración" y "cortes compuestos". Levante el protector inferior mediante el mango retráctil y cuando el disco entre en el material, debe soltar el protector inferior.** Para todos los otros cortes con sierra, el protector inferior debe funcionar automáticamente.
4. **Antes de dejar la sierra en el banco o en el suelo, observe siempre que el protector inferior esté cubriendo el disco.** Un disco desprotegido, girando por inercia, hará que la sierra se desplace hacia atrás, cortando todo lo que encuentre a su paso. Tenga presente el tiempo que el disco tarda en detenerse después de soltar el interruptor.
5. **Para revisar el protector inferior, ábralo manualmente, suéltelo y vea que cierre. Revise también que el mango retráctil no toque el alojamiento de la herramienta.** Dejar el disco expuesto es MUY PELIGROSO y puede ocasionar lesiones personales graves.

## Advertencias de seguridad adicionales

- 1. Uso pretendido**  
Esta herramienta está diseñada para cortar productos de madera únicamente. La acumulación de aserrín en el protector inferior y el eje generada por otros materiales puede afectar el cierre correcto del protector inferior y ocasionar lesiones personales graves.
- 2. Proceda con extrema precaución al cortar madera húmeda, tratada a presión o con nudos.** Mantenga un avance suave de la herramienta sin reducir la velocidad del disco para evitar el sobrecalentamiento de las puntas del mismo.
- 3. No intente retirar material cortado cuando el disco se está moviendo. Espere hasta que el disco se detenga antes de recoger el material cortado.** Los discos siguen girando por inercia después de apagar la herramienta.
- 4. Evite cortar clavos. Inspeccione la madera y quite todos los clavos antes de realizar el corte.**
- 5. Coloque la parte más ancha de la base de la sierra sobre la pieza de trabajo que está sujeta firmemente, no sobre la sección que caerá cuando se realice el corte. Si la pieza de trabajo es corta o pequeña, fijela. ¡NO INTENTE SUJETAR PIEZAS PEQUEÑAS CON LA MANO!**



- 6. Antes de depositar la herramienta tras realizar un corte, asegúrese de que el protector esté cerrado y de que el disco se haya detenido por completo.**
- 7. Nunca intente serrar con la sierra circular boca arriba en una prensa. Es extremadamente peligroso y puede conllevar accidentes graves.**



- 8. Algunos materiales contienen sustancias químicas que pueden ser tóxicas. Tome precauciones para evitar la inhalación de polvo o que éste tenga contacto con la piel. Consulte la hoja de seguridad del proveedor de los materiales.**
- 9. No detenga el disco de la sierra mediante presión lateral sobre el mismo.**
- 10. No utilice ruedas abrasivas.**
- 11. Use solamente un disco de la sierra cuyo diámetro esté marcado en la herramienta o especificado en el manual.** El uso de un disco de tamaño incorrecto puede afectar la protección adecuada del disco o la operación del protector y ocasionar lesiones personales graves.
- 12. Mantenga el disco afilado y limpio.** La cola y la resina de madera endurecidas en el disco frenan la sierra y aumentan las posibilidades de que se produzcan retrocesos bruscos. Mantenga limpio el disco quitándolo primero de la herramienta y limpiándolo con eliminador de resina y goma, agua caliente o queroseno. Nunca utilice gasolina.
- 13. Utilice una máscara antipolvo y protección para los oídos cuando utilice la herramienta.**
- 14. Siempre utilice el disco de la sierra previsto para el material que va a cortar.**

## GUARDE ESTAS INSTRUCCIONES.

**⚠ ADVERTENCIA: NO DEJE** que la comodidad o familiaridad con el producto (a base de utilizarlo repetidamente) sustituya la estricta observancia de las normas de seguridad para dicho producto. **EL MAL USO** o el no seguir las normas de seguridad establecidas en este manual de instrucciones puede ocasionar lesiones personales graves.

## Símbolos

A continuación se muestran los símbolos utilizados para la herramienta.

V	volts o voltios
A	amperes
Hz	hertz
~	corriente alterna
n <sub>o</sub>	velocidad sin carga
	Construcción clase II
... /min r /min	revoluciones o alternancias por minuto, frecuencia de rotación

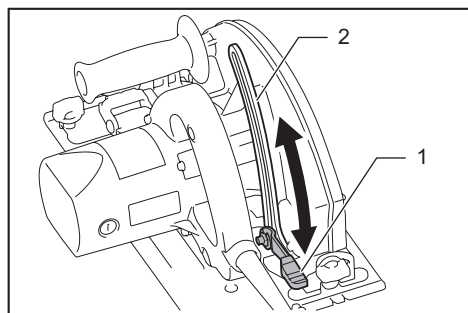
# DESCRIPCIÓN DEL FUNCIONAMIENTO

**⚠PRECAUCIÓN:** Asegúrese siempre de que la herramienta esté apagada y desconectada antes de ajustar o comprobar cualquier función en la herramienta.

## Ajuste de la profundidad de corte

**⚠PRECAUCIÓN:** Después de ajustar la profundidad de corte, siempre apriete la palanca firmemente.

Afloje la palanca en la guía de profundidad y mueva la base hacia arriba o hacia abajo. En la profundidad de corte deseada, fije la base apretando la palanca. Para obtener cortes más limpios y seguros, ajuste la profundidad de corte de forma que no sobresalga más de un diente del disco por debajo de la pieza de trabajo. El uso de una profundidad de corte adecuada ayuda a reducir la posibilidad de que se produzca un peligroso RETROCESO BRUSCO que pueda ocasionar lesiones personales.

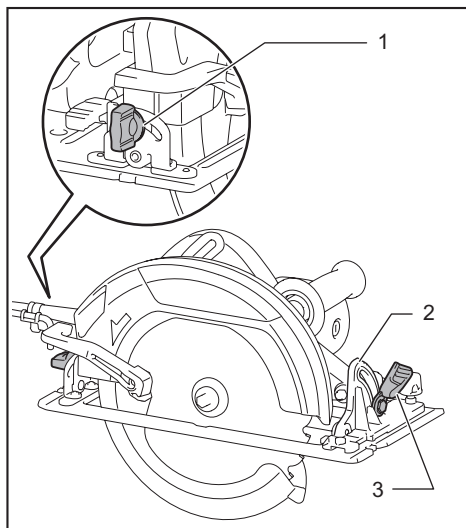


► 1. Palanca 2. Guía de profundidad

## Corte en bisel

**⚠PRECAUCIÓN:** Después de ajustar el ángulo de bisel, apriete siempre la palanca y el tornillo de fijación firmemente.

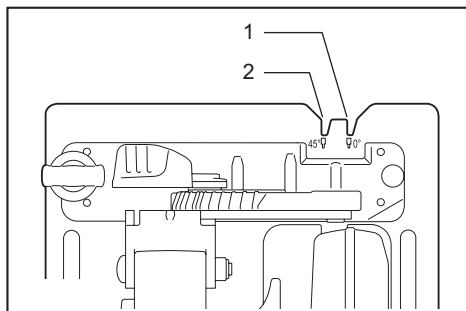
Afloje la palanca y el tornillo de fijación. Ajuste el ángulo deseado inclinando según corresponda, después apriete la palanca y el tornillo de fijación firmemente.



► 1. Tornillo de fijación 2. Placa de la escala de bisel 3. Palanca

## Guía visual

Para cortes rectos, alinee la posición de 0° en la parte delantera de la base con su línea de corte. Para cortes en bisel a 45°, alinee la posición de 45° con la misma.



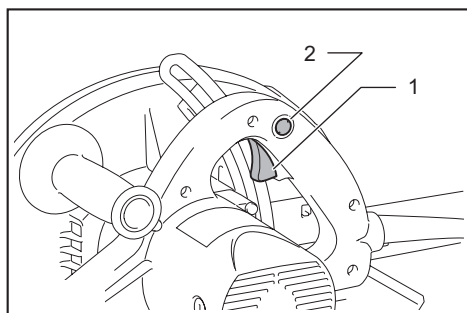
► 1. Línea de corte (posición de 0°) 2. Línea de corte (posición de 45°)

## Accionamiento del interruptor

**⚠ADVERTENCIA:** Antes de conectar la herramienta, compruebe siempre que el gatillo interruptor se accione debidamente y que regrese a la posición de apagado (OFF) cuando se libere.

**⚠ADVERTENCIA:** NUNCA inhabilite el botón de desbloqueo manteniéndolo presionado con cinta adhesiva o mediante otro método. El uso de un interruptor con un botón de desbloqueo inhabilitado puede ocasionar una operación accidental y lesiones personales graves.

**⚠ADVERTENCIA:** NUNCA use la herramienta si se activa simplemente al jalar el gatillo interruptor sin que haya presionado el botón de desbloqueo. El uso de un interruptor que requiere reparación puede ocasionar una operación accidental y lesiones personales graves. Lleve la herramienta a un centro de servicio Makita para las reparaciones apropiadas ANTES de continuar su uso.



► 1. Gatillo interruptor 2. Botón de desbloqueo

El botón de desbloqueo es suministrado para evitar jalar accidentalmente el gatillo interruptor. Para arrancar la herramienta, presione el botón de desbloqueo y jale el gatillo interruptor. Para detenerla, suelte el gatillo interruptor.

**AVISO:** No jale fuertemente el gatillo interruptor sin presionar el botón de desbloqueo. Esto podría dañar el interruptor.

## MONTAJE

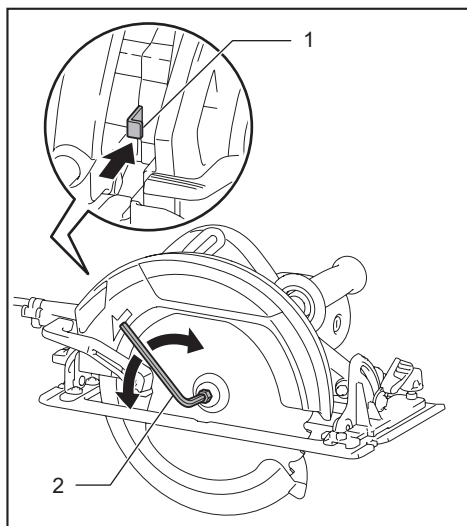
**⚠PRECAUCIÓN:** Asegúrese siempre de que la herramienta esté apagada y desconectada antes de realizar cualquier trabajo en la misma.

### Extracción o instalación del disco de la sierra circular

**⚠PRECAUCIÓN:** Asegúrese de que el disco de la sierra circular esté instalado con los dientes orientados hacia arriba en la parte delantera de la herramienta.

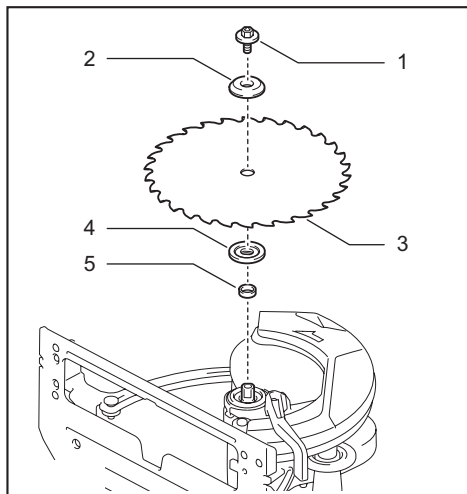
**⚠PRECAUCIÓN:** Utilice solamente la llave Makita para instalar o extraer el disco de la sierra circular.

Para quitar el disco de la sierra circular, presione el bloqueo del eje por completo de forma que el disco de la sierra circular no pueda girar y use la llave para aflojar el perno hexagonal en sentido inverso al de las manecillas del reloj. Después retire el perno hexagonal, el anillo (en función del país), la brida exterior y el disco de la sierra circular.



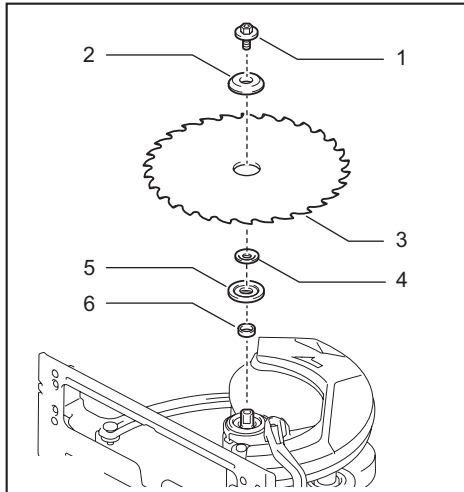
► 1. Bloqueo del eje 2. Llave hexagonal

### Para la herramienta sin anillo



► 1. Perno hexagonal 2. Brida exterior 3. Disco de la sierra circular 4. Brida interior 5. Anillo del eje

### Para la herramienta con anillo

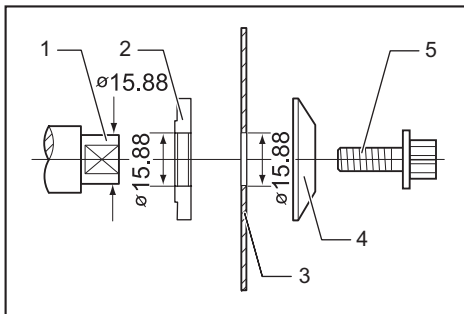


- 1. Perno hexagonal 2. Brida exterior 3. Disco de la sierra circular 4. Anillo 5. Brida interior 6. Anillo del eje

Para instalar el disco de la sierra circular, siga el procedimiento de extracción en orden inverso.

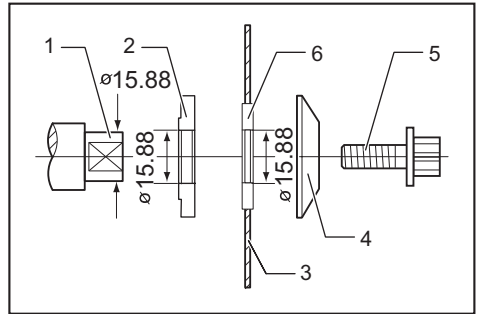
Instale la brida interior con su lado ahuecado orientado hacia afuera sobre el eje de montaje y luego coloque el disco de la sierra (con el anillo puesto si es necesario), la brida exterior y el perno hexagonal.

### Para la herramienta sin anillo



- 1. Eje de montaje 2. Brida interior 3. Disco de la sierra circular 4. Brida exterior 5. Perno hexagonal

### Para la herramienta con anillo



- 1. Eje de montaje 2. Brida interior 3. Disco de la sierra circular 4. Brida exterior 5. Perno hexagonal 6. Anillo

**⚠ADVERTENCIA:** ASEGÚRESE DE APRETAR FIRMEMENTE EL PERNO HEXAGONAL EN EL SENTIDO DE LAS MANECILLAS DEL RELOJ. Asimismo, tenga cuidado de no apretar el perno con demasiada fuerza. Si su mano llega a resbalarse de la llave hexagonal podría ocasionarle una lesión.

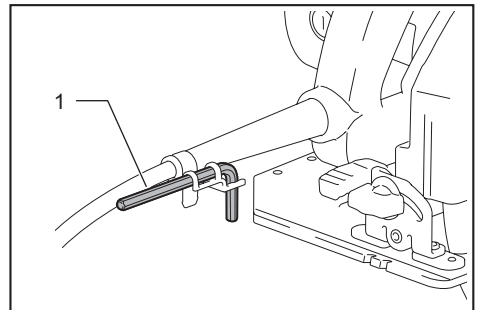
**⚠ADVERTENCIA:** Si se requiere un anillo para montar el disco sobre el eje, asegúrese siempre de instalar el anillo correcto para el orificio del eje del disco que desea utilizar entre las bridas interior y exterior. El uso de un anillo incorrecto para el orificio del eje puede ocasionar un montaje inadecuado del disco provocando que éste se mueva y vibre excesivamente, pudiendo causar a su vez la pérdida de control durante la operación y lesiones personales graves.

### Limpieza del protector del disco

Al cambiar el disco de la sierra circular, asegúrese de limpiar también el aserrín acumulado en los protectores superior e inferior del disco, tal como se indica en la sección de Mantenimiento. Sin embargo, esta tarea no sustituye la necesidad de revisar la operación del protector inferior antes de cada uso.

### Almacenamiento de la llave Allen (hexagonal)

Cuando no la utilice, guarde la llave hexagonal como se muestra en la figura para evitar que se pierda.



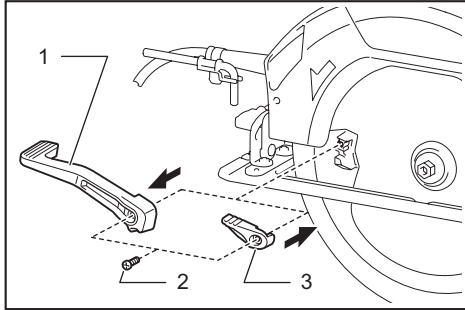
- 1. Llave Allen (hexagonal)

## Conexión de una aspiradora

### Accesorio opcional

Cuando desee realizar una operación de corte limpia, conecte una aspiradora Makita a su herramienta usando la boquilla para polvo.

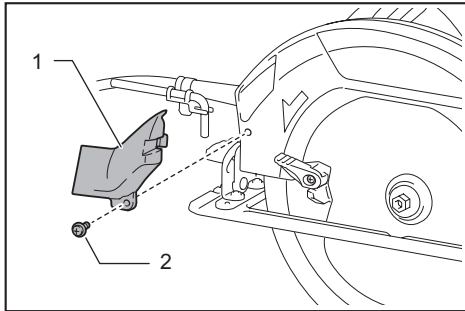
1. Reemplace la palanca original en la herramienta con aquella suministrada con la boquilla para polvo.



- 1. Palanca original 2. Tornillo 3. Palanca suministrada con la boquilla para polvo

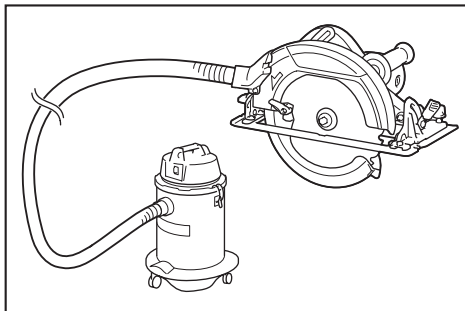
No utilice la boquilla para polvo con la palanca larga instalada. De lo contrario, no podrá realizar ningún corte debido a que la boquilla para polvo impedirá el movimiento del protector inferior.

2. Instale la boquilla para polvo en la herramienta usando el tornillo.



- 1. Boquilla para polvo 2. Tornillo

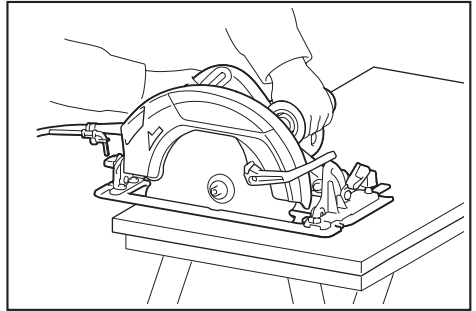
3. Conecte la manguera de la aspiradora a la boquilla para polvo.



## OPERACIÓN

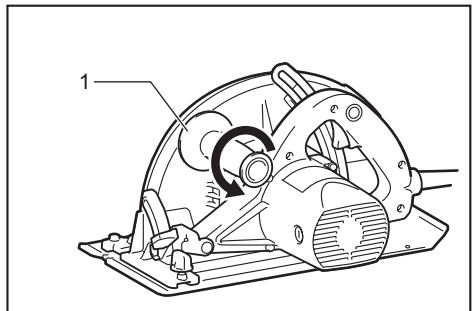
**⚠PRECAUCIÓN:** Utilice una máscara contra polvo cuando realice la operación de corte.

**⚠PRECAUCIÓN:** Asegúrese de mover la herramienta hacia adelante en línea recta y suavemente. El forzar o torcer la herramienta producirá un sobrecalentamiento del motor y un peligroso retroceso brusco, posiblemente causando lesiones graves.



Sujete firmemente la herramienta. La herramienta está provista de empuñadura delantera y mango trasero. Utilice ambos para sujetar de forma óptima la herramienta. Si ambas manos están sujetando la sierra, éstas no podrán ser cortadas por el disco de la sierra circular. Coloque la base sobre la pieza de trabajo a cortar sin que el disco de la sierra circular haga contacto alguno. Luego encienda la herramienta y espere a que el disco de la sierra circular alcance su velocidad completa. Ahora simplemente mueva la herramienta hacia adelante sobre la superficie de la pieza de trabajo, manteniéndola plana y avanzando suavemente hasta completar el corte. Para obtener cortes limpios, mantenga la línea de corte recta y la velocidad de avance uniforme. Si se desvía de la línea de corte prevista, no intente girar ni forzar la herramienta para hacerla volver a la línea de corte. Esta acción podría atorar el disco de la sierra circular y ocasionar un peligroso retroceso brusco y posibles lesiones graves. Suelte el interruptor, espere hasta que el disco de la sierra circular se detenga y después retire la herramienta. Vuelva a alinear la herramienta en una nueva línea de corte y comience el corte otra vez. Hay que evitar posturas en las que el operador quede expuesto a las astillas y el aserrín expulsados de la sierra. Use protección para los ojos para poder evitar las lesiones.

Si la empuñadura delantera está floja, gírela en sentido inverso al de las manecillas del reloj para apretarla.

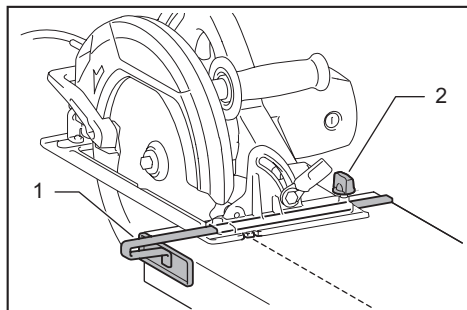


- 1. Empuñadura delantera



## Tope lateral de corte (regla guía)

### Accesorio opcional



- 1. Tope lateral de corte (regla guía) 2. Tornillo de fijación

El útil tope lateral de corte le permite hacer cortes rectos extra precisos. Simplemente deslice el tope lateral de corte para que quede ceñidamente ajustado contra el costado de la pieza de trabajo y fíjelo con el tornillo en la parte delantera de la base. Con ello también se pueden hacer cortes repetidos de anchura uniforme.

## MANTENIMIENTO

**⚠PRECAUCIÓN:** Asegúrese siempre de que la herramienta esté apagada y desconectada antes de intentar realizar una inspección o mantenimiento.

**⚠PRECAUCIÓN:** Limpie el protector para asegurarse de que no haya aserrín y astillas acumuladas que puedan impedir la operación del sistema de protección. Un sistema de protección sucio puede limitar la operación adecuada y ocasionar lesiones personales graves. La forma más eficaz de lograr esto es limpiando con aire comprimido. Si se utiliza aire para eliminar el aserrín del protector, asegúrese de llevar una protección adecuada en los ojos así como un respirador.

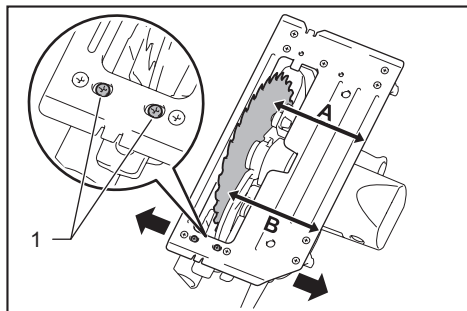
**AVISO:** Nunca use gasolina, bencina, diluyente (tíner), alcohol o sustancias similares. Puede que esto ocasione grietas o descoloramiento.

### Ajuste del paralelismo

Este ajuste ha sido efectuado de fábrica. Pero en caso de haberse perdido, usted puede ajustarlo siguiendo el procedimiento a continuación.

1. Asegúrese de que todas las palancas y tornillos estén apretados. Afloje ligeramente el tornillo mostrado en la ilustración.
2. Mientras abre el protector inferior, mueva la parte trasera de la base de manera que las distancias A y B sean iguales.

3. Apriete los tornillos y haga un corte de prueba para verificar el paralelismo.

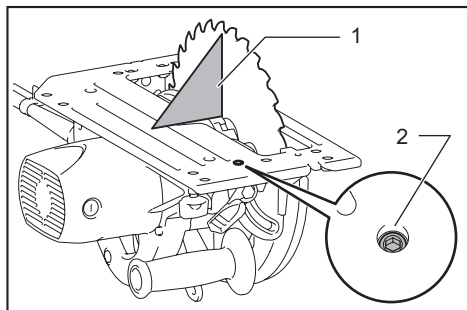


- 1. Tornillo

### Ajuste de la precisión del corte a 0°

Este ajuste ha sido efectuado de fábrica. Pero en caso de haberse perdido, usted puede ajustarlo siguiendo el procedimiento a continuación.

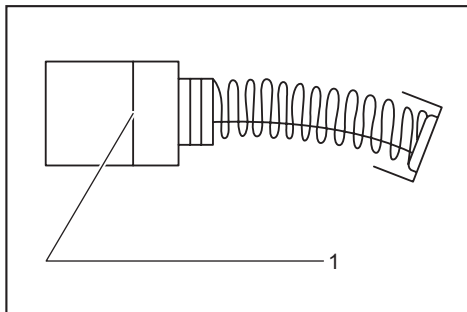
1. Afloje ligeramente la palanca y el tornillo de fijación en la parte delantera y trasera de la herramienta.
2. Haga que la base quede perpendicular al disco usando una regla triangular o escuadra girando el tornillo de ajuste.



- 1. Regla triangular 2. Tornillo de ajuste

3. Apriete la palanca y el tornillo de fijación y luego haga un corte de prueba para verificar la verticalidad.

### Reemplazo de las escobillas de carbón

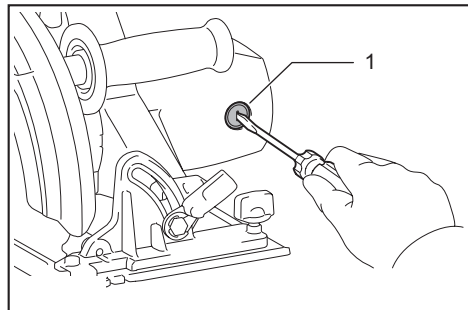


- 1. Marca límite



Inspeccione regularmente las escobillas de carbón. Reemplácelas una vez que se hayan desgastado hasta la marca límite. Mantenga las escobillas de carbón limpias de forma que entren libremente en los portaescobillas. Ambas escobillas de carbón deberán ser reemplazadas al mismo tiempo. Utilice únicamente escobillas de carbón idénticas.

1. Utilice un destornillador para quitar las tapas del portaescobillas.
2. Extraiga las escobillas de carbón desgastadas, inserte las nuevas y vuelva a colocar las tapas del portaescobillas.



► 1. Tapa del portaescobillas

Para mantener la SEGURIDAD y FIABILIDAD del producto, las reparaciones, y cualquier otra tarea de mantenimiento o ajuste deberán ser realizadas en centros de servicio autorizados o de fábrica Makita, empleando siempre repuestos Makita.

## ACCESORIOS Opcionales

**⚠PRECAUCIÓN:** Estos accesorios o aditamentos están recomendados para utilizarse con su herramienta Makita especificada en este manual.

El empleo de cualquier otro accesorio o aditamento puede conllevar el riesgo de lesiones personales.

Utilice los accesorios o aditamentos solamente para su fin establecido.

Si necesita cualquier ayuda para más detalles en relación con estos accesorios, pregunte a su centro de servicio local Makita.

- Disco de la sierra circular
- Tope lateral de corte (regla de guía)
- Llave Allen (hexagonal)
- Boquilla para polvo
- Carril guía
- Guía de bisel
- Pinza
- Hoja
- Hoja de hule
- Hoja de posición
- Adaptador de carril guía
- Barra de medición
- Soporte

**NOTA:** Algunos de los artículos en la lista pueden incluirse en el paquete de la herramienta como accesorios estándar. Éstos pueden variar de país a país.

## GARANTÍA LIMITADA DE MAKITA

### Ésta Garantía no aplica para México

Consulte la hoja de la garantía anexa para ver los términos más vigentes de la garantía aplicable a este producto. En caso de no disponer de esta hoja de garantía anexa, consulte los detalles sobre la garantía descritos en el sitio web de su país respectivo indicado a continuación.

Estados Unidos de América: [www.makitatools.com](http://www.makitatools.com)

Canadá: [www.makita.ca](http://www.makita.ca)

Otros países: [www.makita.com](http://www.makita.com)





< USA only >

# WARNING

Some dust created by power sanding, sawing, grinding, drilling, and other construction activities contains chemicals known to the State of California to cause cancer, birth defects or other reproductive harm. Some examples of these chemicals are:

- lead from lead-based paints,
- crystalline silica from bricks and cement and other masonry products, and
- arsenic and chromium from chemically-treated lumber.

Your risk from these exposures varies, depending on how often you do this type of work. To reduce your exposure to these chemicals: work in a well ventilated area, and work with approved safety equipment, such as those dust masks that are specially designed to filter out microscopic particles.

< Sólo en los Estados Unidos >

# ADVERTENCIA

Algunos polvos creados por el lijado, aserrado, esmerilado, taladrado y otras actividades de la construcción contienen sustancias químicas reconocidas por el Estado de California como causantes de cáncer, defectos de nacimiento y otros peligros de reproducción. Algunos ejemplos de estos productos químicos son:

- plomo de pinturas a base de plomo,
- sílice cristalino de ladrillos y cemento y otros productos de albañilería, y
- arsénico y cromo de maderas tratadas químicamente.

El riesgo al que se expone varía, dependiendo de la frecuencia con la que realice este tipo de trabajo. Para reducir la exposición a estos productos químicos: trabaje en un área bien ventilada y póngase el equipo de seguridad indicado, tal como las máscaras contra polvo que están especialmente diseñadas para filtrar partículas microscópicas.

**Makita Corporation**

3-11-8, Sumiyoshi-cho,  
Anjo, Aichi 446-8502 Japan

[www.makita.com](http://www.makita.com)

885547A940  
HS0600-1  
EN, FRCA, ESMX  
20190425